

# RGB/RGBW Touch Wheel RF Remote Controller

- Apply to RGB or RGBW LED controller.
- Ultra sensitive color adjustment touch wheel.
- Independent dimming function of each R, G, B, W channel to achieve millions of colors.
- Each remote can match one or more receiver.
- AAx2 battery powered.
- Operate with LED indicator light.



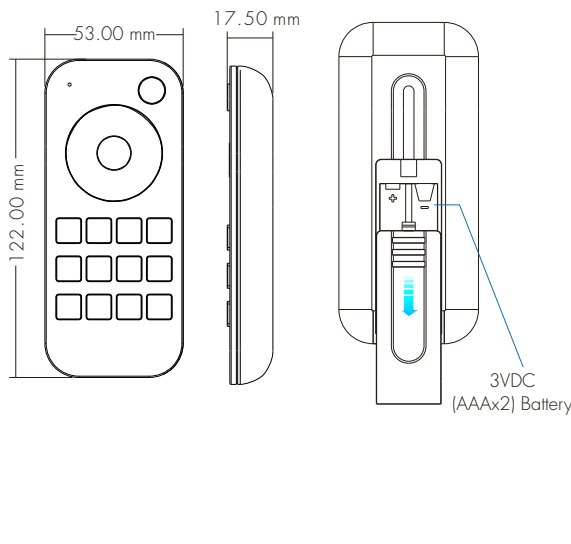
4 Zone RGB/RGBW

**CE RoHS**  **LVD RED**

## Technical Parameters

Input and Output		Safety and EMC		Environment	
Output signal	RF(2.4GHz)	EMC standard (EMC)	ETSI EN 301 489-1 V2.2.3 ETSI EN 301 489-17 V3.2.4	Operation temperature	Ta: -30°C ~ +55°C
Working voltage	3VDC(AAAx2)	Safety standard(LVD)	EN 62368-1:2020+A11:2020	<b>Package</b>	
Working current	<5mA	Radio Equipment(RED)	ETSI EN 300 328 V2.2.2	Size	L140 x W60 x H26mm
Standby current	<10µA	Certification	CE,EMC,LVD,RED	Gross weight	0.088kg
Standby time	1 year			<b>Warranty</b>	
Remote distance	30m(Barrier-free space)			Warranty	5 years

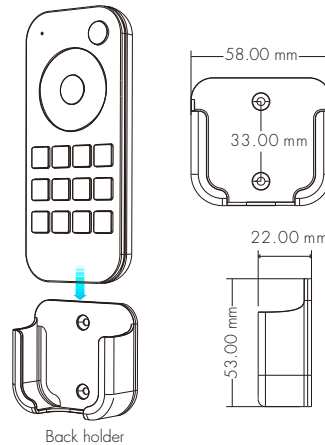
## Mechanical Structures and Installations



## Back holder

Two options are offered for selection, please fix the back holder on the wall with two screws, or adhere the back holder to the wall with paster.

### 1. Back holder without magnet



### 2. Back holder with magnet (The remote with built-in magnet)

