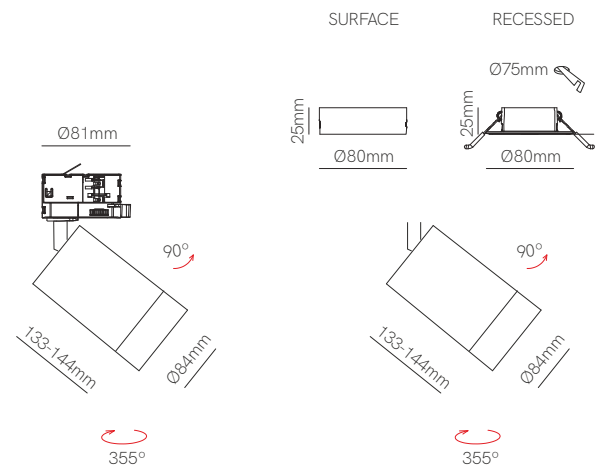
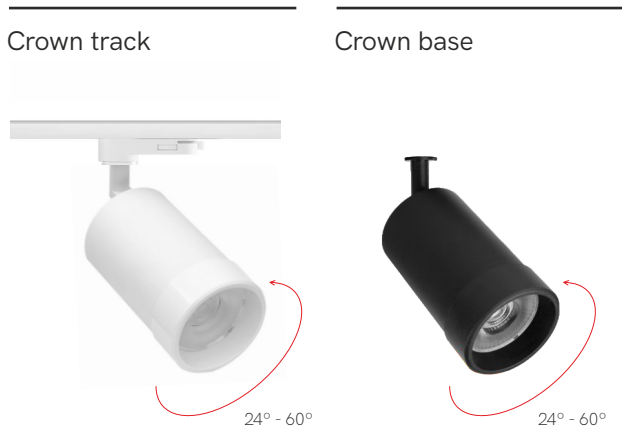
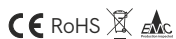


New



Technical Information

Power	25W	25W
Installation	Three Phase Track	Surface / Recessed
Color Temperature	Switch 2.700K / 3.200K / 4.000K	Switch 2.700K / 3.200K / 4.000K
Lumens	2.300 lm	2.300 lm
Material	Aluminium and polycarbonate	Aluminium and polycarbonate
Finishes	White / Black	White / Black
Code	<input type="checkbox"/> 5221 <input checked="" type="checkbox"/> 5222	<input type="checkbox"/> 5224 <input checked="" type="checkbox"/> 5225



Base version includes surface and recessed base (not mounted).

3 YEARS WARRANTY | 25.000 HOURS | IP 20 | 220/240 VAC | UGR <19 | PF >0,9 | CRI ≥90 | ⚡ | 24° - 60° | 50/60 Hz | +40°C / -20°C | CCT SWITCH | 1/20