

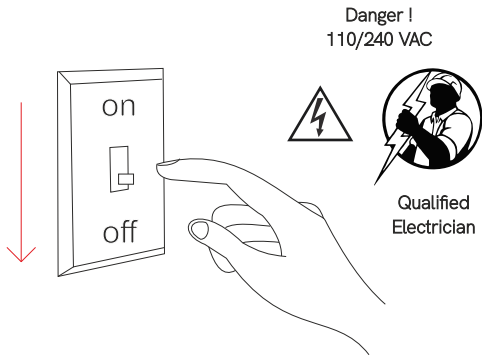
Tween surface

step light

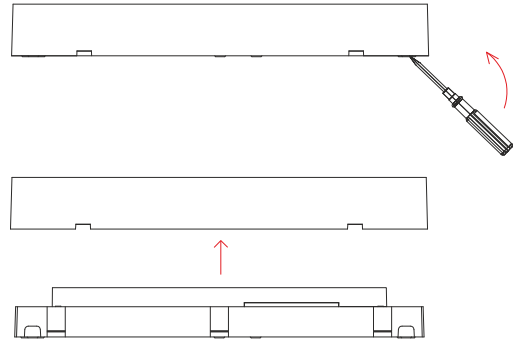
5196, 5197, 5198

5W

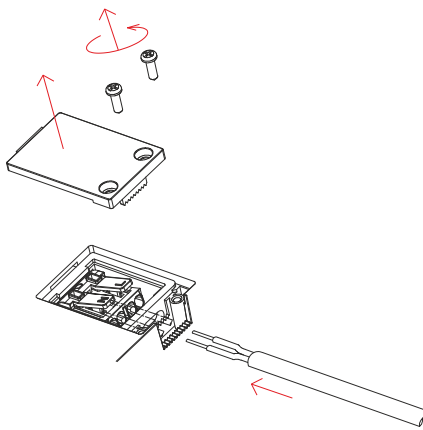
Instrucciones de montaje/ Assembly instructions/ Instructions de montage/ Montageanleitung/ Istruzioni di montaggio



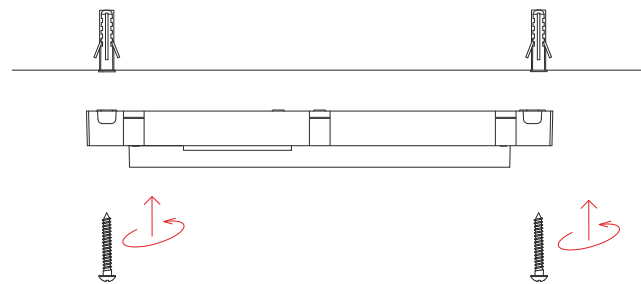
1.0



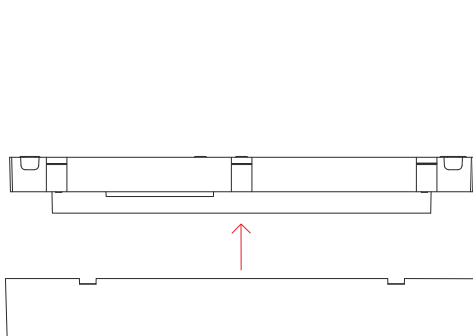
2.0



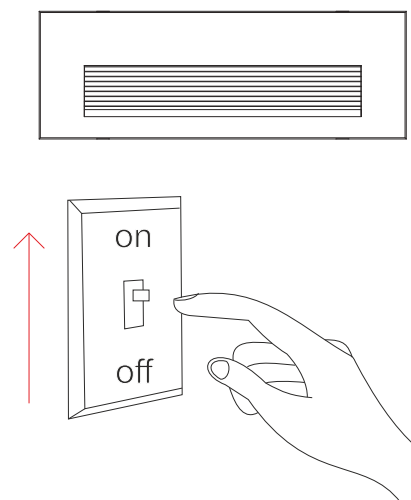
3.0



4.0



5.0



6.0

Tween recessed

step light

5199, 5200, 5201

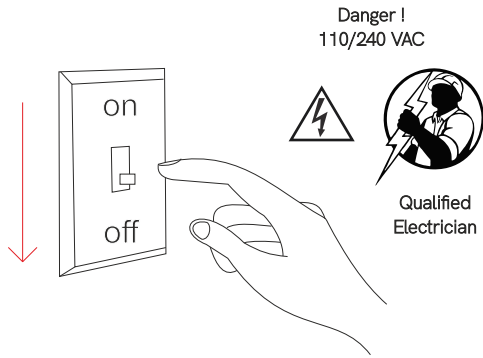
5W



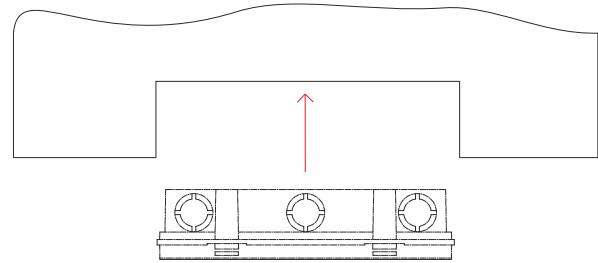
BENEITO FAURE

passion for led light

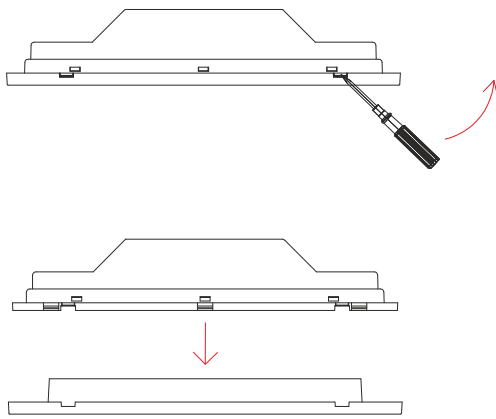
Instrucciones de montaje/ Assembly instructions/ Instructions de montage/ Montageanleitung/ Istruzioni di montaggio



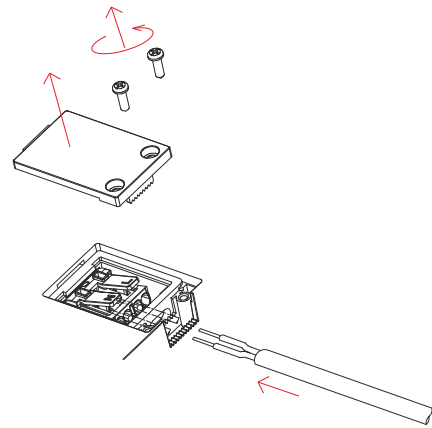
1.0



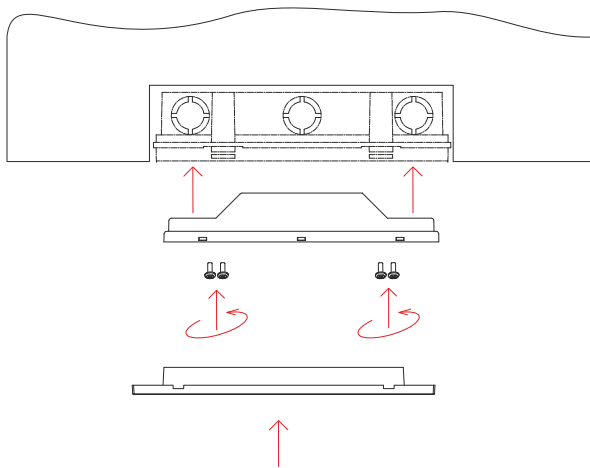
2.0



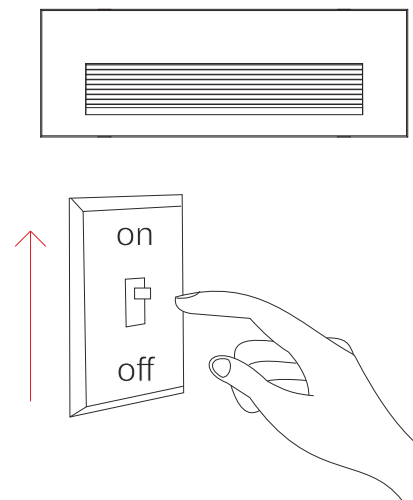
3.0



4.0



5.0



6.0



RoHS



EMC



>0,9
PF

CRI
≥80



IK06



CCT
SWITCH

110/240
VAC

3
YEARS
WARRANTY

25.000
HOURS

50/60
Hz

+40°C
20°C

UGR
<19

65
IP



60°