

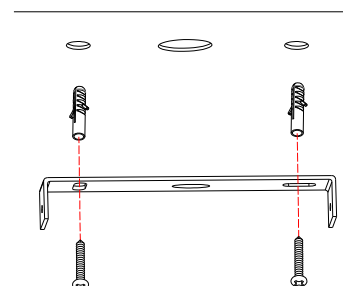
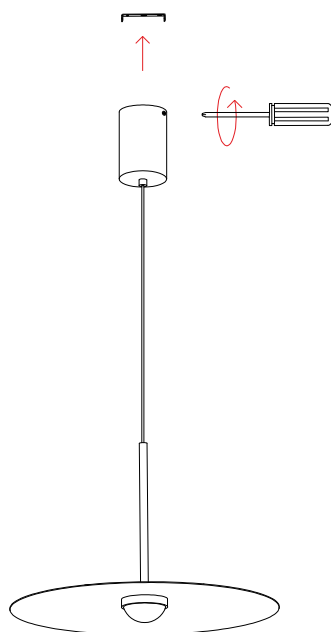
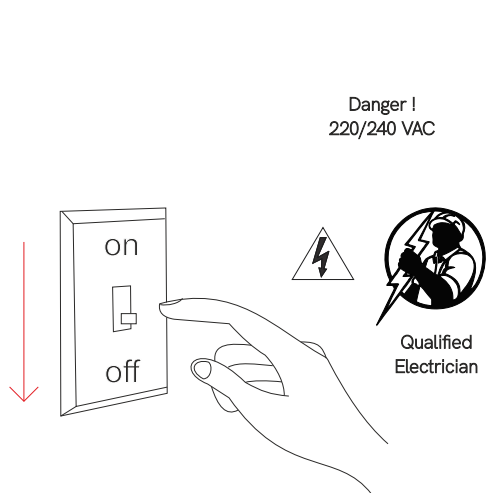
Hat surface

surface

5345, 5346, 5348, 5349

8W

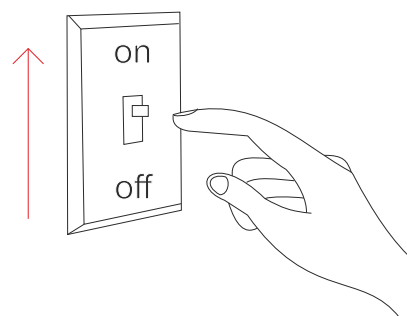
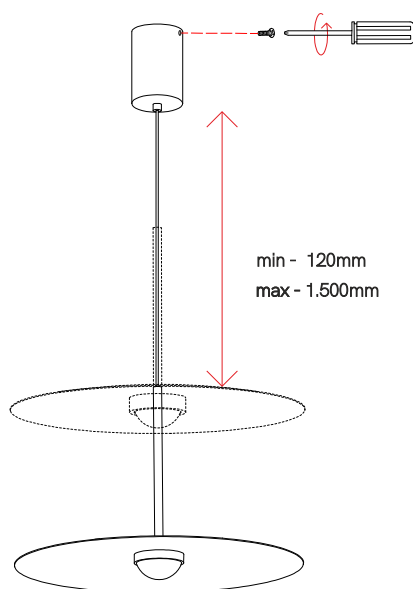
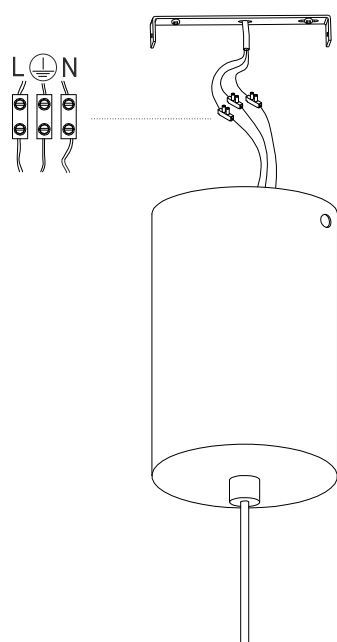
Instrucciones de montaje/ Assembly instructions/ Instructions de montage/ Montageanleitung/ Istruzioni di montaggio



1.0

2.0

3.0



4.0

5.0

6.0



3
YEARS
WARRANTY

30.000
HOURS

PF
>0,6

220/240
VAC

IP
20



50/60
Hz

+40°C
-20°C