

# Fine 25 circle 48V

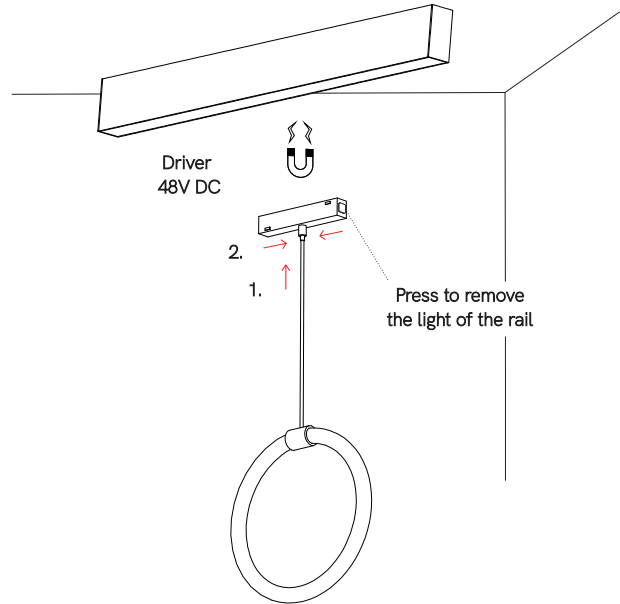
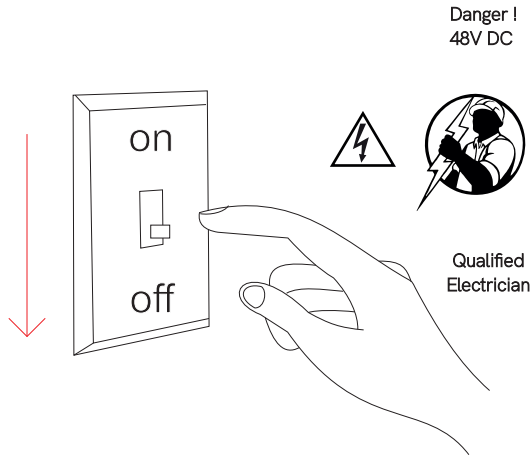
decorative lighting

5431, 5441, 5432, 5442

19W

Instrucciones de montaje/ Assembly instructions/ Instructions de montage/ Montageanleitung/ Istruzioni di montaggio

## Surface installation



## Recessed installation

