

Argo large

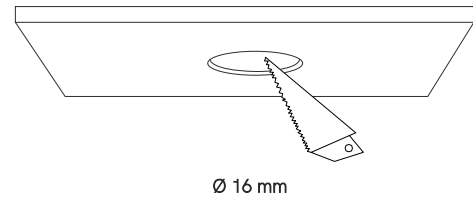
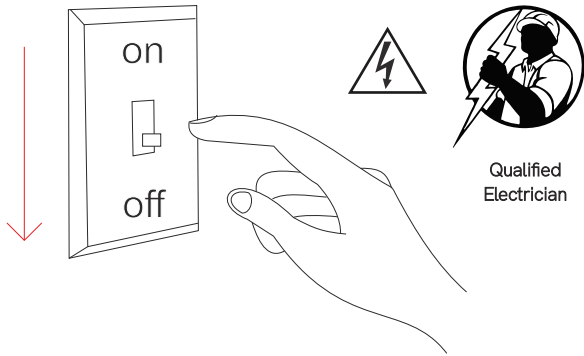
recessed

5252, 5253, 5254, 5255, 5256, 5257

3,5W

Instrucciones de montaje/ Assembly instructions/ Instructions de montage/ Montageanleitung/ Istruzioni di montaggio

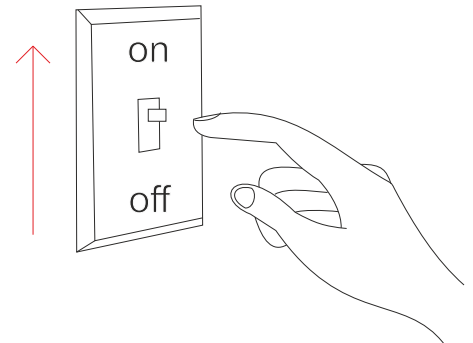
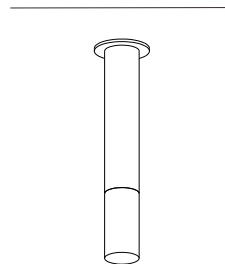
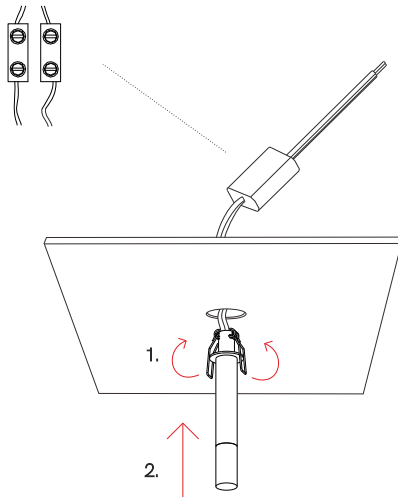
Danger !
220/240 VAC



1.0

2.0

L N



3.0

4.0

5.0



RoHS



3
YEARS
WARRANTY

>0,5
PF

35.000
HOURS



IP
20

220/240
VAC



+40°C
-20°C

50/60
Hz