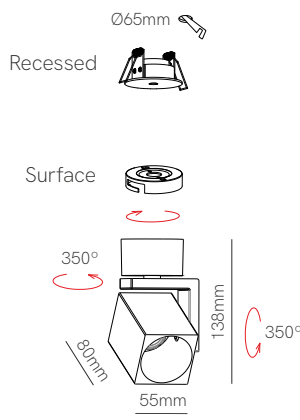
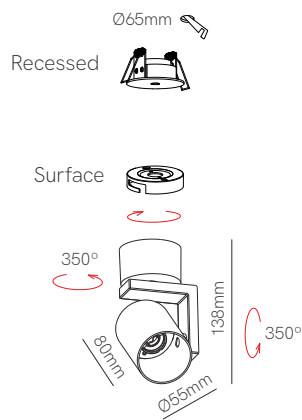




Volt round 1 GU10

Volt square 1 GU10




\*Included surface base (mounted) and recessed base (not mounted).

Technical Information

Installation	Surface / Recessed	Surface / Recessed
Material	Aluminium	Aluminium
Finishes	White / Black	White / Black
Code	<input type="checkbox"/> 5049 <input checked="" type="checkbox"/> 5050 <input checked="" type="checkbox"/>  Custom RAL	<input type="checkbox"/> 5051 <input checked="" type="checkbox"/> 5052 <input checked="" type="checkbox"/>  Custom RAL



 Consult delivery terms and conditions.

