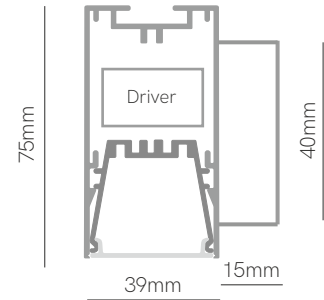


Time wall sensor



*Finished luminaire. Includes power supply, base wall and end caps.

Technical Information

Power	15W / 23W / 31W
Lumens	1.680 lm - 4.216 lm
Installation	Wall
Material	Aluminium
PCB	Rigid

Code	Diffuser (Angle)	Size	CCT (lm/W) - Power/m	Driver	Colour
Code 8	Opal (112°) 1	570mm 1	2.700K (112 lm/W) - 27W/m 2	PIR 0	<input type="checkbox"/> White (9003) 1
		840mm 2	3.000K (128 lm/W) - 27W/m 3		<input checked="" type="checkbox"/> Black (9005) 2
		1.130mm 3	4.000K (136 lm/W) - 27W/m 4		<input type="checkbox"/> Gray (9006) 3
			5.000K (136 lm/W) - 27W/m 5		<input type="checkbox"/> Custom RAL C
					<input type="checkbox"/> Electrolytic Plating

Code: **8** **1** **0**



Consult delivery terms and conditions.
*Create your code according to your preferences.

