

Thesis 35W Switch

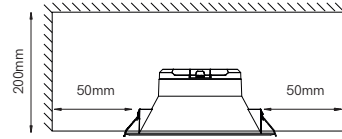
dowlights

5030

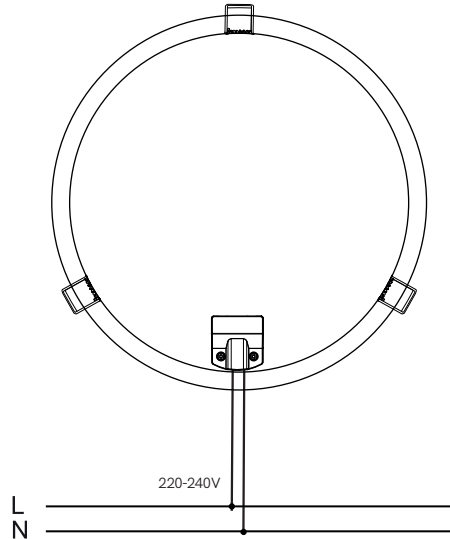
Danger !



Installation by electricians only



1)



2)

