

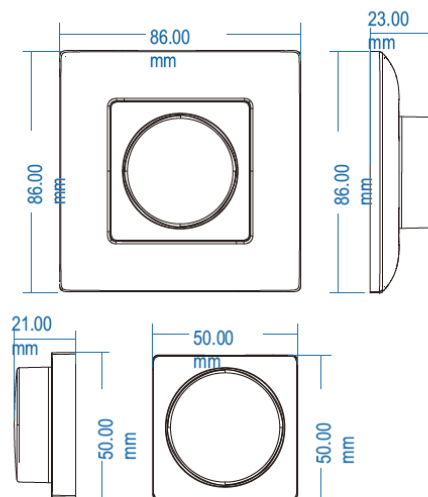
Rotary Panel RF Remote Controller

Model No.: 84431

Rotary dimming/1 color/Wireless remote 30m distance/CR2032 battery



1 Zone Dimming



Features

- Apply to single color LED controller.
- Rotate knob to change or brightness, support long press or twice click operation.
- Each remote can match one or more receiver.
- CR2032 battery powered.
- Removeable and stick anywhere easily, or mount on wall use panel base.

CE RoHS  LVD RED

Technical Parameters

Input and Output	
Output signal	RF(2.4GHz)
Working voltage	3VDC(CR2032)
Working current	< 5mA
Standby current	< 10 μ A
Standby time	1 year
Remote distance	30m(Barrier-free space)

Warranty	
Warranty	5 years

Safety and EMC	
EMC standard (EMC)	ETSI EN 301 489-1 V2.2.3 ETSI EN 301 489-17 V3.2.4
Safety standard(LVD)	EN 62368-1:2020+A11:2020
Radio Equipment(RED)	ETSI EN 300 328 V2.2.2
Certification	CE,EMC,LVD,RED

Environment	
Operation temperature	Ta: -30°C ~ +55°C
IP rating	IP20