

Urban

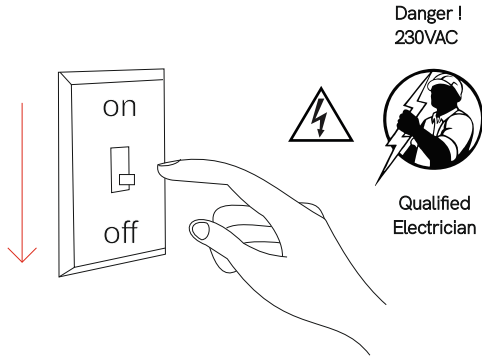
custom system

563XX1, 565XX1, 567XX1, 593XX1, 595XX1, 597XX1, 563XX2, 565XX2, 567XX2, 593XX2, 595XX2, 597XX2

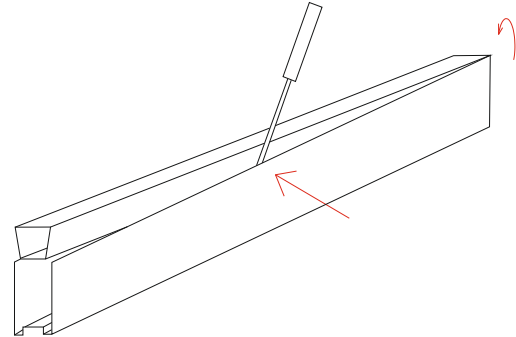
Instrucciones de montaje/ Assembly instructions/ Instructions de montage/ Montageanleitung/ Istruzioni di montaggio



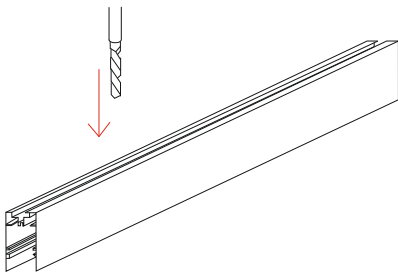
Instrucciones de montaje/ Assembly instructions/ Instructions de montage/ Montageanleitung/ Istruzioni di montaggio



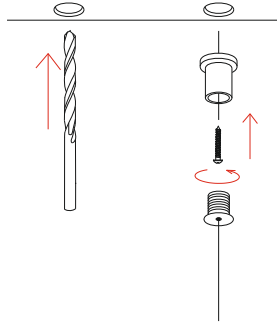
1.0



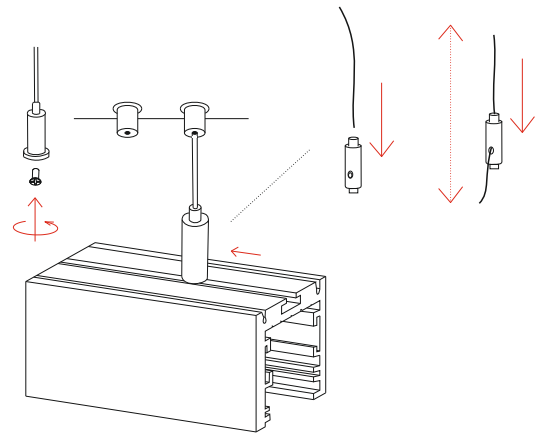
2.0



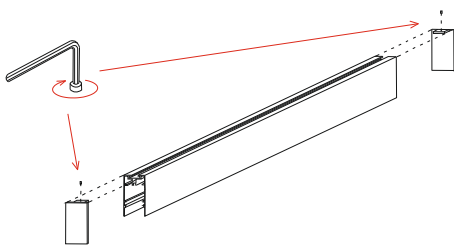
3.0



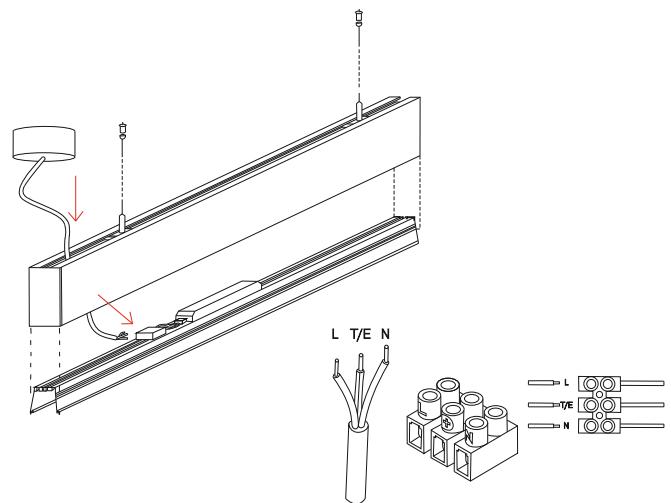
4.0



5.0



6.0 *Extensible luminaires with joint pieces



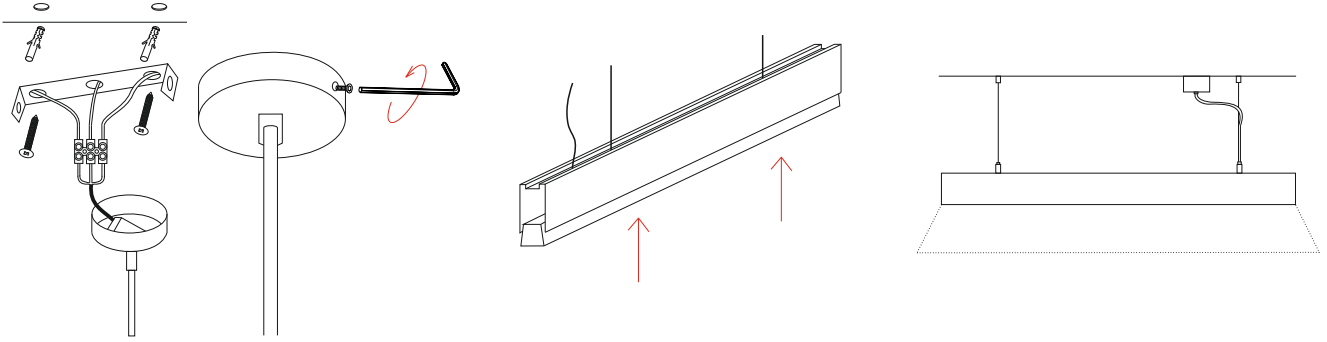
7.0 *1 See the different smart connection options

Urban luminaires

64XXXX, 65XXXX

46W, 57W, 69W, 80W, 103W

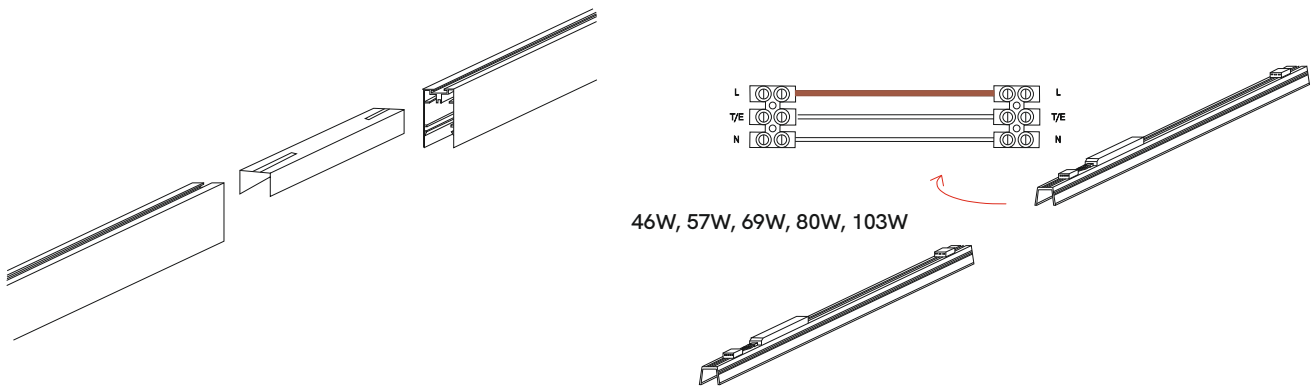
Instrucciones de montaje/ Assembly instructions/ Instructions de montage/ Montageanleitung/ Istruzioni di montaggio



8.0

9.0

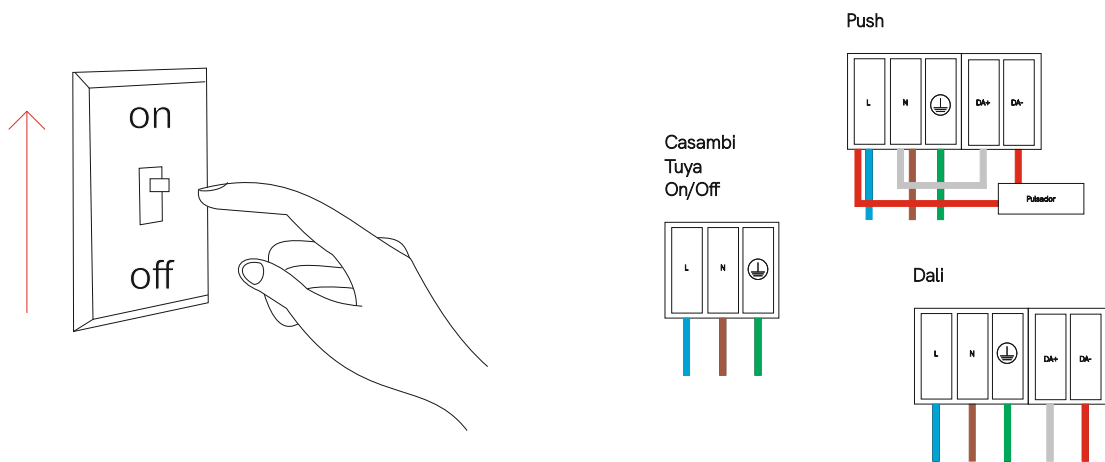
10.0



46W, 57W, 69W, 80W, 103W

11.0 *Extensible luminaires with joint pieces

12.0



13.0

14.0 *1 See the different smart connection options