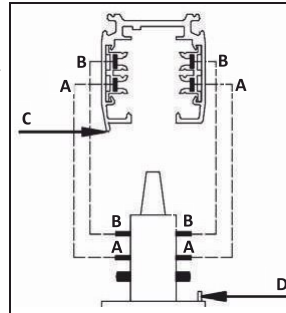
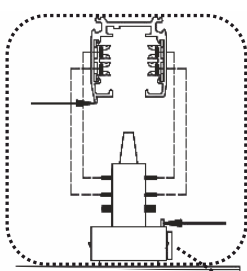
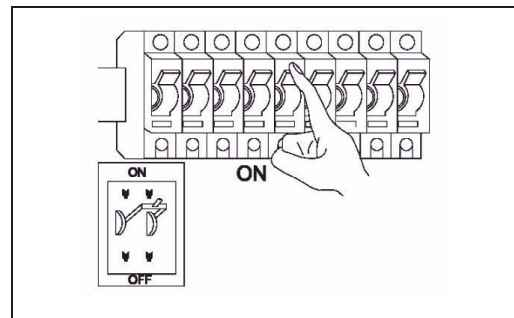
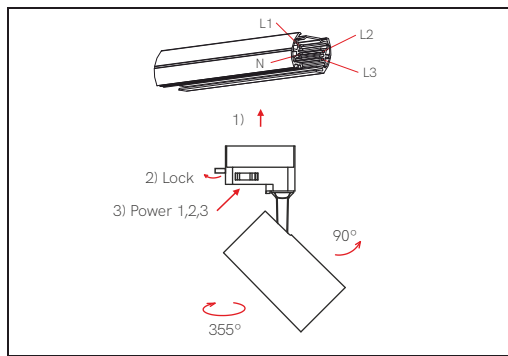
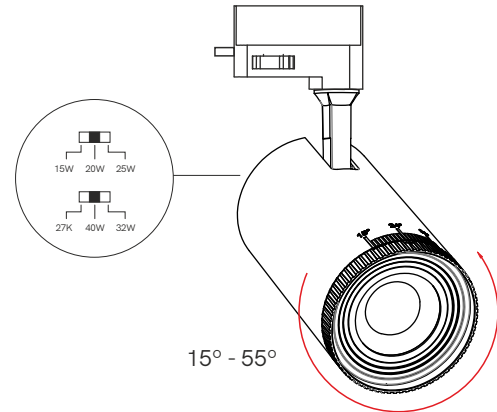
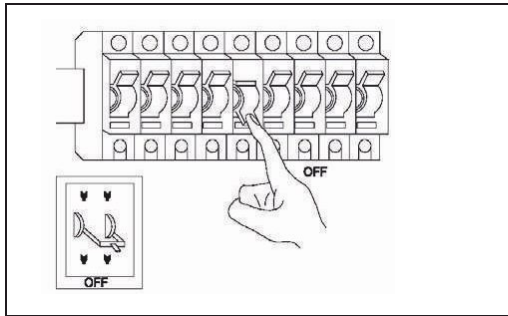


Zoom 15W/20W/25W Switch technical lighting

4900, 4901



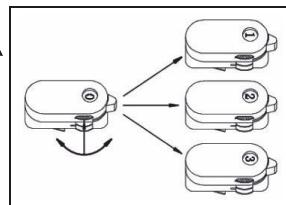
In order to match the A and B both track adapter and track.

Please pay attention C point and D point must be on the opposite direction.



Danger !

Installation by electricians only



Four line three circuit for track adapter. Select the circuit position.

"0" circuit: No Power, No electricity.

"1" circuit: Power on for circuit "1".

"2" circuit: Power on for circuit "2".

"3" circuit: Power on for circuit "3".



20 IP	220/240 VAC	3 YEARS WARRANTY	30.000 HOURS	15°-55°	50/60 Hz	IK06	+45°C -20°C	UGR <19
>0,9 PF	≥90 CRI		CCT SWITCH	2.700K 3.200K 4.000K	POWER SWITCH	15W 1.200 lm	20W 1.500 lm	25W 1.800 lm