

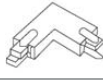
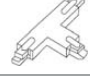

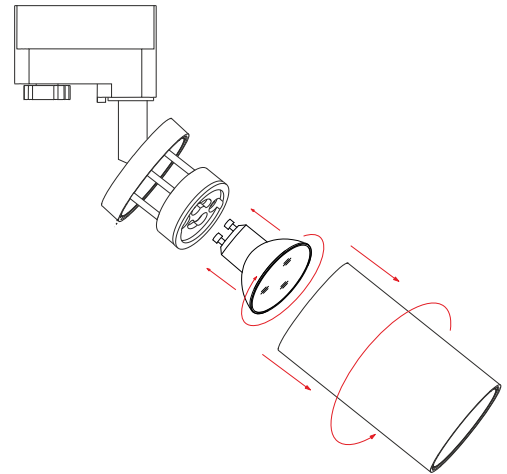


► Note Before Installation

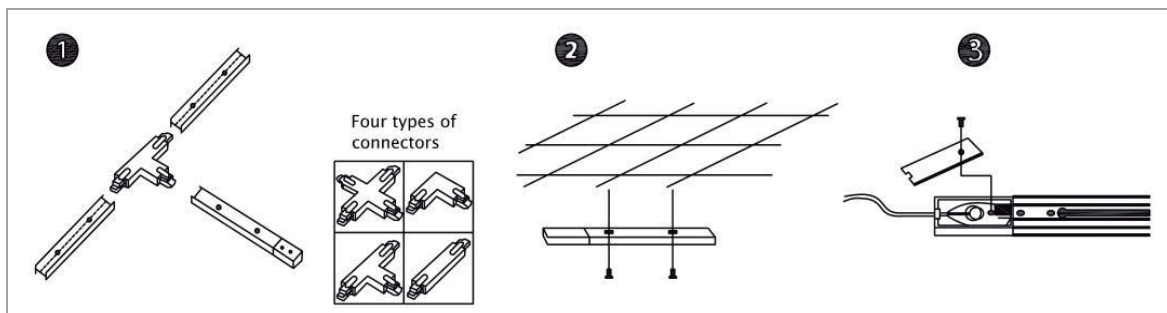
- The product is suitable for indoor use only.
- This product must be installed by trained electricians.
- Turn off power at fuse circuit breaker box before installation or before doing any maintenance work.
- Wear rubber soled shoes and work on a sturdy wooded or non-conductive ladder.
- Do not exceed the nominal supply voltage or amperage ratings.
- Product must be mounted in location and at height in a manner consistent with its intended use, and in compliance with National Electrical Code and local building codes.

► TRACK CONNECTOR YOU MAY NEED

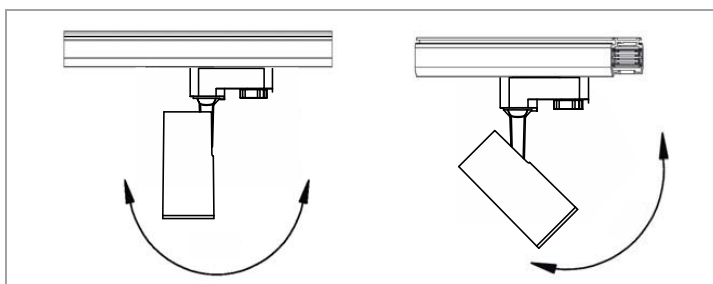
No.	Inmages	Description
1		Track : Has a length of 1m, 1.5m, 2m, and 3m to be chosen.
2		To connect four track sections at a "X" configuration.
3		To connect two track sections at a 90° angle.
4		To connect three track sections at a "T" configuration.
5		Straight interior connector to connect two track sections end-to-end. It provides a center feed option.



► ASSEMBLE INSTUCTION FOR TRACK SYSTEM



► FIXTURE ROTATION



WARNING

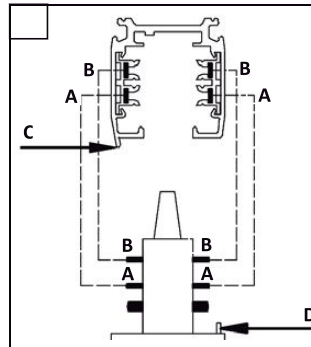
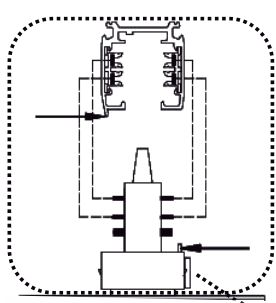
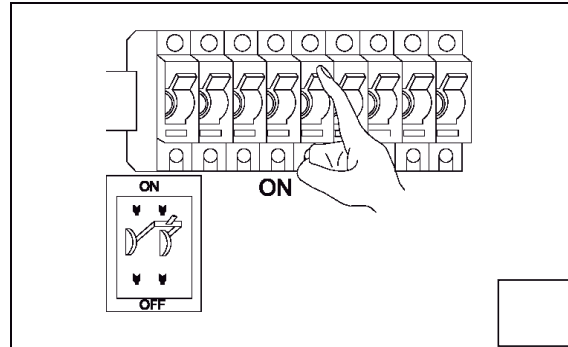
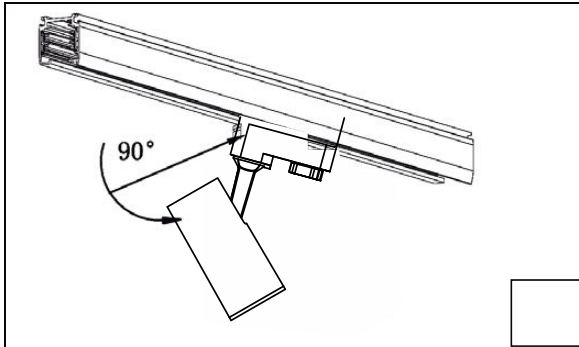
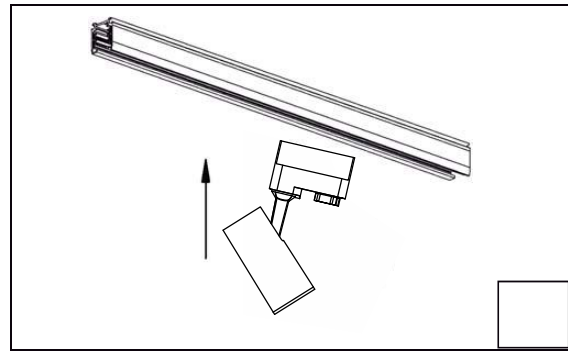
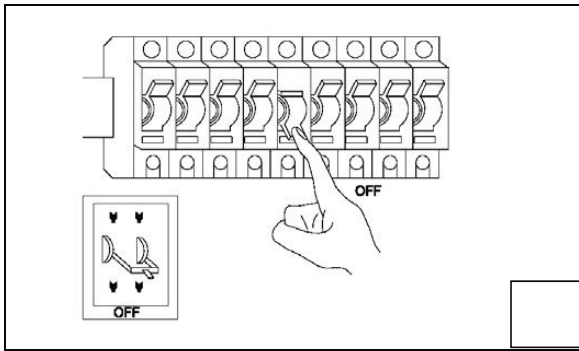
RISK OF ELECTRIC SHOCK

Turn power off before inspection, installation or removal.

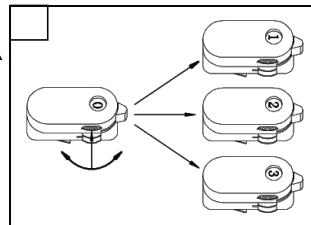
NOTE:

- You could buy the connector according to your need. But track is indispensable.
- To reduce risk of fire and electric shock ,for use with nordic aluminium inc.XTS track system only.

► FIXTURE INSTALLATION



NOTE a:
 ◦ In order to match the A and B both track adapter and track.
 ◦ Please pay attention C point and D point must be on the opposite direction.



NOTE b:
 ◦ Four line three circuit for track adapter.
 ◦ The fixture adapter can be used on 0, 1, 2 and 3 circuit track system. An adjustable contact on the fixture adapter allows you to select the circuit position.
 "0" circuit: No Power, No electricity.
 "1" circuit: Power on for circuit "1".
 "2" circuit: Power on for circuit "2".
 "3" circuit: Power on for circuit "3".
 You could choose the circuit to achieve intelligent control.

► Safety Information

- 1 Before use, need to confirm the products are intact during transportation.
- 2 Avoid eyes look straight at the LED light-emitting surface.
- 3 Keep away from fire or high temperature object.
- 4 Keep children stay away from the product, forbidden to contact the electric Equipment .
- 5 Packing materials stay away from children to prevent suffocation. Prevent the small accessories swallowed by children.
- 6 Non professional personnel are not allowed to disassemble and repair led light, our company have the rights to refuse the replacement or warranty service for the unauthorized disassembly and repaired products.
- 7 Before cleaning, please be sure to shut off the power supply, and clean with dry cloth, do not use Chemical or corrosive items for cleaning.