



**BENEITO FAURE®**  
passion for led light

**57588**

**CASAMBI**

*Device Manual*



# CASAMBI

## FEATURES

- DIMMER+DRIVER CASAMBI
- Input: DC 12-24 Vdc
- Command: APP CASAMBI
- Local Command: N°4 Push Buttons Normally Open (N.O.)
- Control: Dimmer White, Tunable White, Color RGB o RGBW
- Voltage or Current output for LED strip
- Typical efficiency > 95%
- Extended temperature range
- 100% Functional Test



### Product description:

This 57588 at 4 channels with CASAMBI module allows to control all kind of leds: White, Tunable White, RGB and RGBW.

Through this Dalcnet device it is possible to adjust the luminous brightness, to create multiple color scenes and settle color games, thanks to all commands available on "CASAMBI APP". The device is also provide with 4 analog input (n°4 Push Buttons Normally Open) to control up to four different scenes.

With Casambi APP it is possible to control Led lights just from one view, by taking a photo of the lamps in a room, or by creating different scenarios.

Controlling all your lamps from one view. it is possible to control all your lighting fixtures with one view, individually or as a group. For example it is possible create a group of lights within home (eg. bedroom, kitchen, etc..) as in the workplace (eg. offices, showroom, etc..) and turn all off / on or dim with just one tap

Control your lights from a photo. It is possible to control only the lights you desire, just taking a photo of the room, and putting the icon of the lamp on the real position.

Create scenes for different lighting situations: Thanks to this function it is possible to create and store on the app many scenarios with different levels of brightness, different color temperature or RGB scenes.

Download the free Casambi APP on APP STORE and GOOGLE PLAY.

Necessary conditions for a correct function are:

- Devices with S.O. APPLE iOS 8.2 o later version
- Devices with S.O. ANDROID 4.4 o later version
- Normally Open Push Buttons (N.O.)
- Casambi App, download for free on App Store and Google Play



➔ For the whole and updated **Device Manual** refer to producer's website: <http://www.dalcnet.com>

➔ For the correct functioning of **CASAMBI APP** refer to the CASAMBI website: <http://www.casambi.com>

**LED DRIVERS**



**BENEITO FAURE®**  
passion for led light

**57588**

**CASAMBI**

**Device Manual**



# CASAMBI

## FEATURES

- DIMMER+DRIVER CASAMBI
- Input: DC 12-24 Vdc
- Command: APP CASAMBI
- Local Command: N°4 Push Buttons Normally Open (N.O.)
- Control: Dimmer White, Tunable White, Color RGB o RGBW
- Voltage or Current output for LED strip
- Typical efficiency > 95%
- Extended temperature range
- 100% Functional Test



Constant voltage variants (common anode)

CODE	Supply Voltage	Output	Channels	Commands
DLX1224-4CV-CASAMBI	12-24V DC	4 x 5A (max 10A tot.)	4	APP CASAMBI – 4 push buttons N.O.

The factory default profile of the product is DLX4-CBM-RGBW variant RGBW  
In case you want to use profiles like DLX4-CBM-W (White), DLX4-CBM-TW (Tunable White) or DLX4-CBM-RGB (RGB), it is necessary to log in Casambi website and download the desired profile.

## Protections

Variant	CV
<b>OTP</b> Over temperature protection	
<b>OVP</b> Over voltage protection	✓ (*)
<b>UVP</b> Under voltage protection	✓ (*)
<b>RVP</b> Reverse polarity protection	✓ (*)
<b>IFP</b> Input fuse protection	✓ (*)
<b>SCP</b> Short circuit protection	
<b>OCP</b> Open circuit protection	
<b>CLP</b> Current limit protection	

(\*) Logic control protection

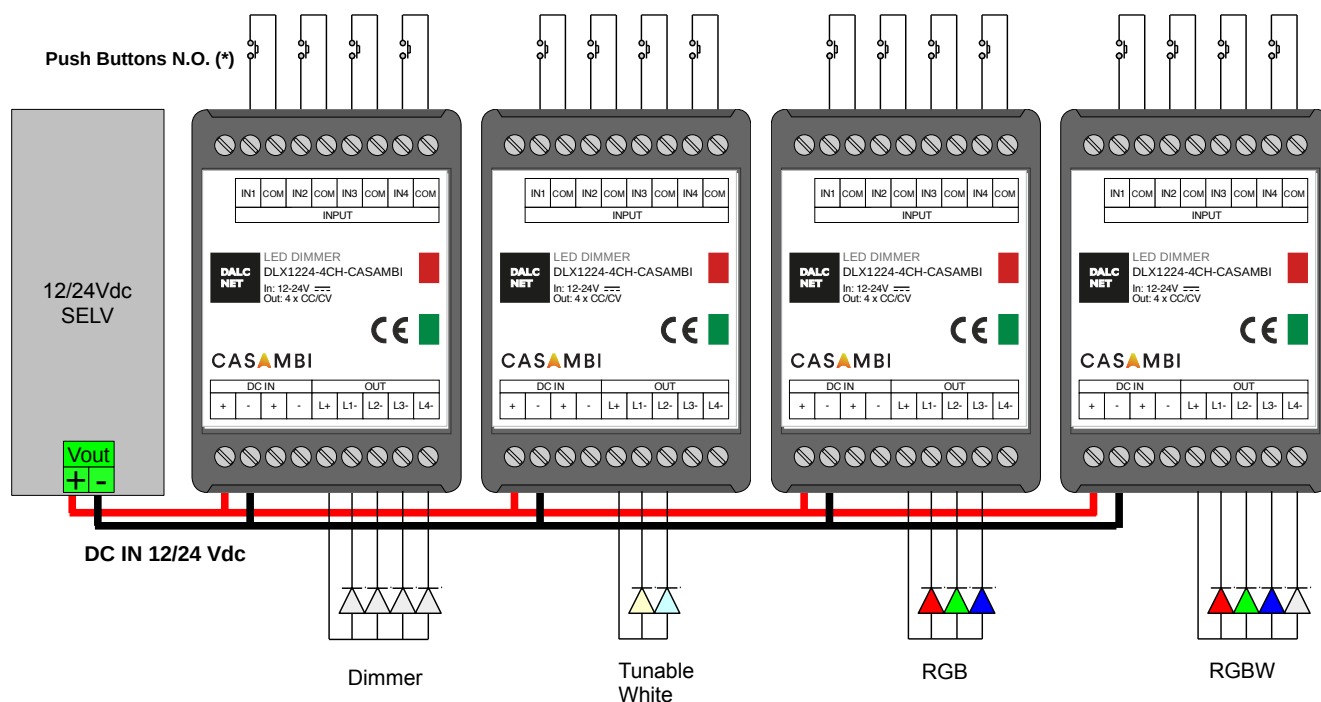
## Type of Profiles

PROFILE	Supply Voltage	Output	Channels	Commands	
DLX4-CBM-W	12-24V DC	4 x CC/CV	4	APP CASAMBI – 4 push buttons N.O.	DIMMER
DLX4-CBM-TW	12-24V DC	2 x CC/CV	2	APP CASAMBI – 4 push buttons N.O.	TUNABLE WHITE
DLX4-CBM-RGB	12-24V DC	3 x CC/CV	3	APP CASAMBI – 4 push buttons N.O.	RGB
DLX4-CBM-RGBW	12-24V DC	4 x CC/CV	4	APP CASAMBI – 4 push buttons N.O.	RGBW

**LED DRIVERS**



**Installation**



\* For the control with the Push Buttons N.O. see the documentations in the website: <http://www.casambi.com>.

Note: For the length of the cables see the Technical Note

PROFILE	DLX4-CBM-W	DLX4-CBM-TW	DLX4-CBM-RGB	DLX4-CBM-RGBW
---------	------------	-------------	--------------	---------------

**Technical Note:**

**Installation:**

- Installation and maintenance must be performed only by qualified personnel in compliance with current regulations.
- The product must be installed inside an electrical panel protected against overvoltages.
- The product must be installed in a vertical or horizontal position with the cover / label upwards or vertically; Other positions are not permitted. It is not permitted to bottom-up position (with the cover / label down).
- Keep separated the circuits at 230V (LV) and the circuits not SELV from circuits to low voltage (SELV) and from any connection with this product. It is absolutely forbidden to connect, for any reason whatsoever, directly or indirectly, the 230V mains voltage to the bus or to other parts of the circuit.

**Power Supply:**

- For the power supply use only a SELV power supplies with limited current, short circuit protection and the power must be dimensioned correctly.
- In case of using power supply with ground terminals, all points of the protective earth (PE = Protection Earth) must be connected to a valid and certified protection earth.
- The connection cables between the power source "low voltage" and the product must be dimensioned correctly and they should be isolated from every wiring or parts at voltage not SELV. Use double insulated cables.
- Dimension the power supply for the load connected to the device. If the power supply is oversized compared with the maximum absorbed current, insert a protection against over-current between the power supply and the device.
- For the constant current output, the voltage of LED module (Vf) must be less of 5V at the voltage of power supply.

**Command:**

- The length of the connection cables between the local commands (N.O. Push button or other) and the product must be less than 10m; the cables must be dimensioned correctly and they should be isolated from every wiring or parts at voltage not SELV. Use double insulated shielded and twisted cables.
- All the product and the control signal connect at the local command (N.O. Push button or other) must be SELV (the devices connected must be SELV or supply a SELV signal)

**Outputs:**

- The length of the connection cables between the product and the LED module must be less than 10m; the cables must be dimensioned correctly and they should be isolated from every wiring or parts at voltage not SELV. Is preferable to use shielded and twisted cables.



**Mechanical Dimensions:**

