

Sky switch

outdoor lighting

Technical Data

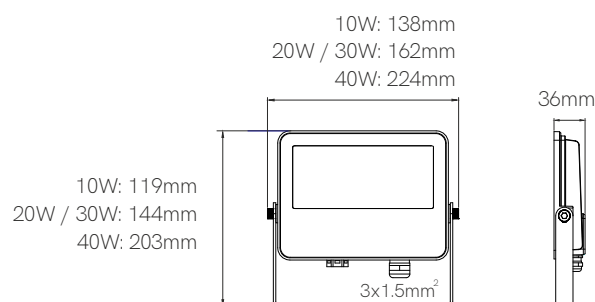
Outdoor spotlight with IK08.

Light

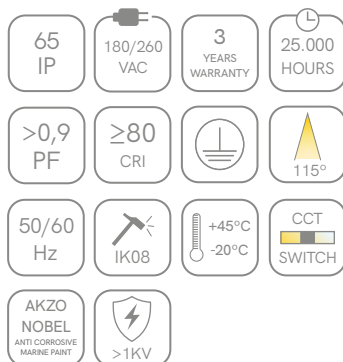
LED with SWITCH technology in
3.000K / 4.000K / 5.000K with IP65.

Finishes

White, black and gray. Aluminium.



*4027 Optional black spike.



Sky switch 10W:



Sky switch 20W / 30W:



Sky switch 40W:



	Code	Color	Power	CCT	Lumens
Sky switch 10W	4679	○ White	10W	3.000K/4.000K/5.000K	1.200 lm
	4680	● Black	10W	3.000K/4.000K/5.000K	1.200 lm
	4681	● Gray	10W	3.000K/4.000K/5.000K	1.200 lm
Sky switch 20W	4682	○ White	20W	3.000K/4.000K/5.000K	2.400 lm
	4683	● Black	20W	3.000K/4.000K/5.000K	2.400 lm
	4684	● Gray	20W	3.000K/4.000K/5.000K	2.400 lm
Sky switch 30W	4685	○ White	30W	3.000K/4.000K/5.000K	3.600 lm
	4686	● Black	30W	3.000K/4.000K/5.000K	3.600 lm
	4687	● Gray	30W	3.000K/4.000K/5.000K	3.600 lm
Sky switch 40W	4688	○ White	40W	3.000K/4.000K/5.000K	4.800 lm
	4689	● Black	40W	3.000K/4.000K/5.000K	4.800 lm
	4694	● Gray	40W	3.000K/4.000K/5.000K	4.800 lm

