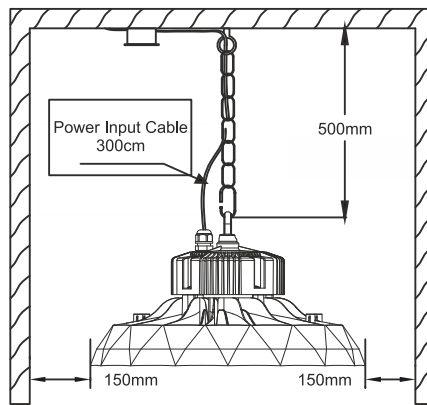
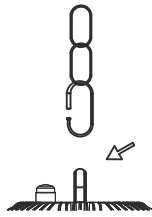
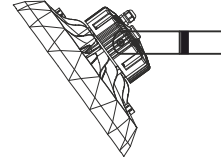
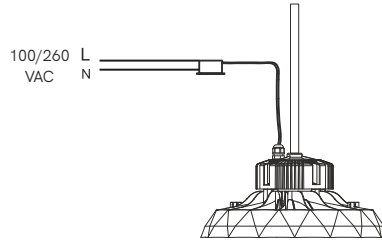
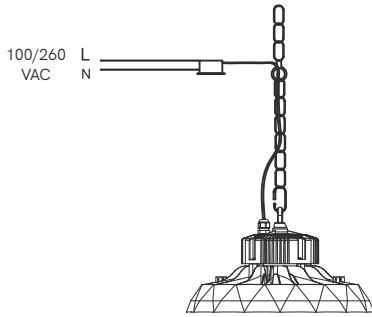


# Ufo lens

## industrial lighting

4502 / 4503 / 4504 / 4505 / 4506 / 4507 / 4508



Danger!

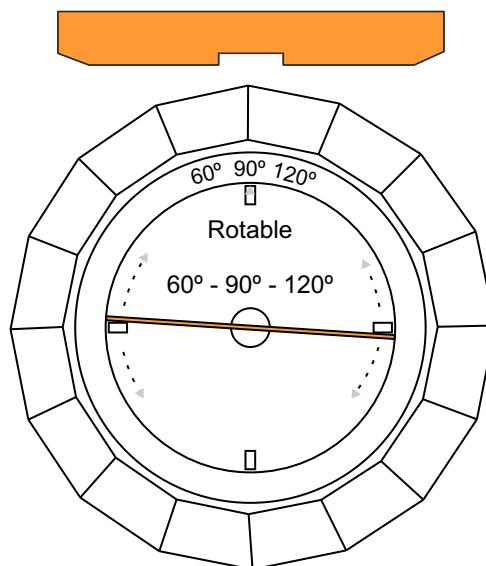
Installation by electricians only

LED TYPE SMD

**THE EXTERNAL POWER CORD MUST BE A VDE-CERTIFIED  
H05RN-F3X1.0MM2 WATERPROOF CABLE**

4502/4503/4504/4505 Energy efficiency class for light source is Class D.

4506/4507/4508 Energy efficiency class for light source is Class C.



CE RoHS  

65 IP	100/260 VAC	5 YEARS WARRANTY	50.000 HOURS	>0,9 PF	≥80 CRI		CABLE 2M	60° 90° 120°	 >4KV
50/60 Hz	 IK10	+50°C -30°C	100W 4.000K 16.200 Lm	100W 5.000K 16.200 Lm	150W 4.000K 24.000 Lm	150W 5.000K 24.200 Lm	200W 4.000K 32.000 Lm	200W 5.000K 32.200 Lm	240W 4.000K 38.400 Lm