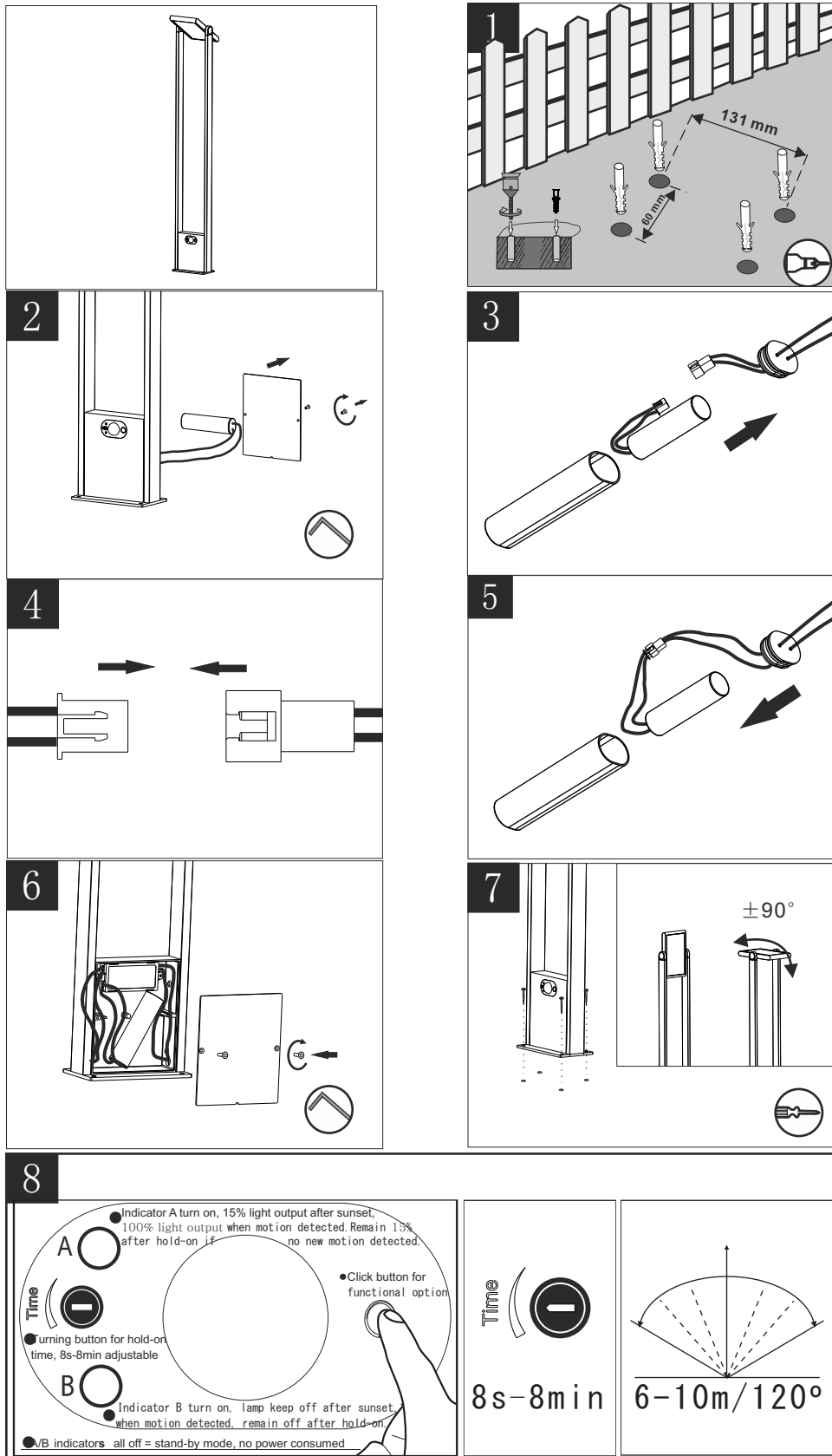


Popa 1,6W 4.000K

solar lighting

3882 / 3883 / 3884 / 3885



1

2

3

4

5

6

7

8

Indicator A turn on, 15% light output after sunset, 100% light output when motion detected. Remain 15% after hold-on if no new motion detected.

Indicator B turn on, lamp keep off after sunset when motion detected, remain off after hold-on.

● A/B indicators all off = stand-by mode, no power consumed

Click button for functional option

Time

8s-8min

6-10m/120°

Notice: Pls clean the solar panel every two weeks to keep good condition.

Energy efficiency class for light source is Class F.

Políg. Valldoríolf C/Thomas Edison 4-6
08430 La Roca del Vallés (Barcelona) Spain
Tel.: 00 34 93.568.40.45 www.beneito-faure.com
B-63378673 Made in P.R.C. WEEE DE98004440

CE RoHS

5-6 HOURS	15% 10 H.	100% 2-3 H.	2.200 mAh	120°	IK08	+45°C -25°C
54 IP	2 YEARS WARRANTY	≥80 CRI	20.000 HOURS	SENSOR	PIR SENSOR	8 sec 8 min
						150 LM