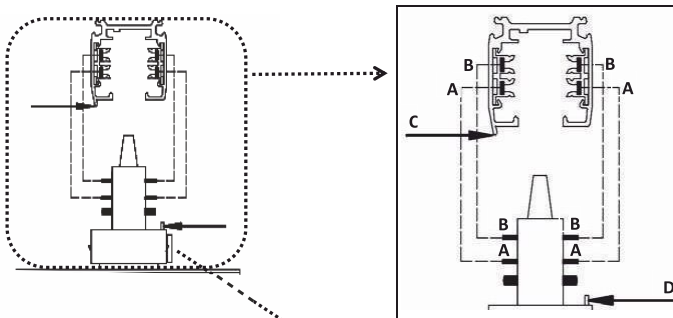
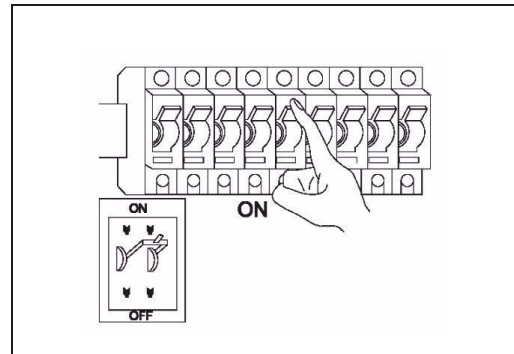
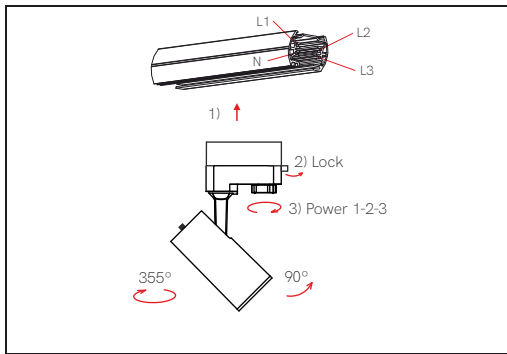
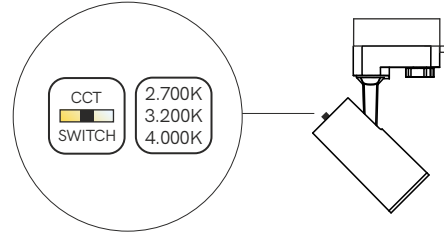
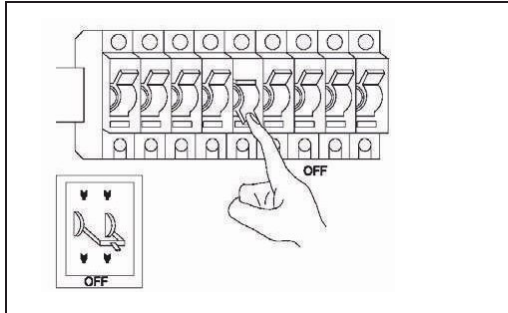


# Piccolo Switch 9,5W

decorative lighting

4437 / 4438

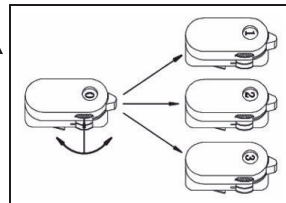


In order to match the A and B both track adapter and track.  
Please pay attention C point and D point must be on the opposite direction.



**Danger !**

Installation by electricians only



Four line three circuit for track adapter.  
Select the circuit position.  
"0" circuit: No Power, No electricity.  
"1" circuit: Power on for circuit "1".  
"2" circuit: Power on for circuit "2".  
"3" circuit: Power on for circuit "3".