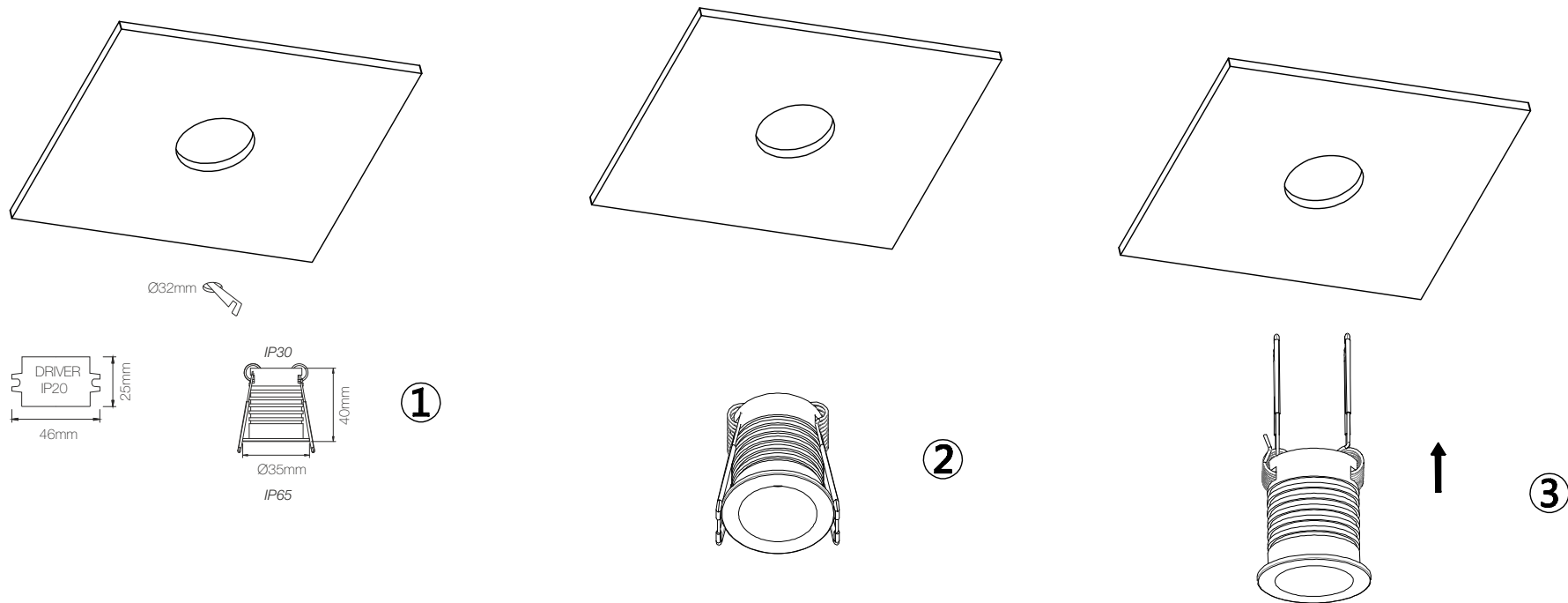


Nano Pulsar 3,5W R / C

technical lighting

4297 / 4298 / 4299 / 4300 / 4301 / 4302 / 4451 / 4452 / 4453 / 4454 / 4455 / 4456



>0,5 PF	≥80 CRI	30°	2.700K 170 lm	3.000K 180 lm	4.000K 200 lm	3 YEARS WARRANTY
220/240 VAC	50/60 Hz	+40°C -20°C	65 IP	30.000 HOURS	UGR <16	

Polig. Valldoríolf C/Thomas Edison 4-6
08430 La Roca del Vallés (Barcelona) Spain
Tel.: 00 34 93.568.40.45 www.beneito-faure.com
B-63378673 Made in P.R.C. WEEE DE98004440



Energy efficiency class for light source 2.700K - 3.000K is Class G.
Energy efficiency class for light source 4.000K is Class F.