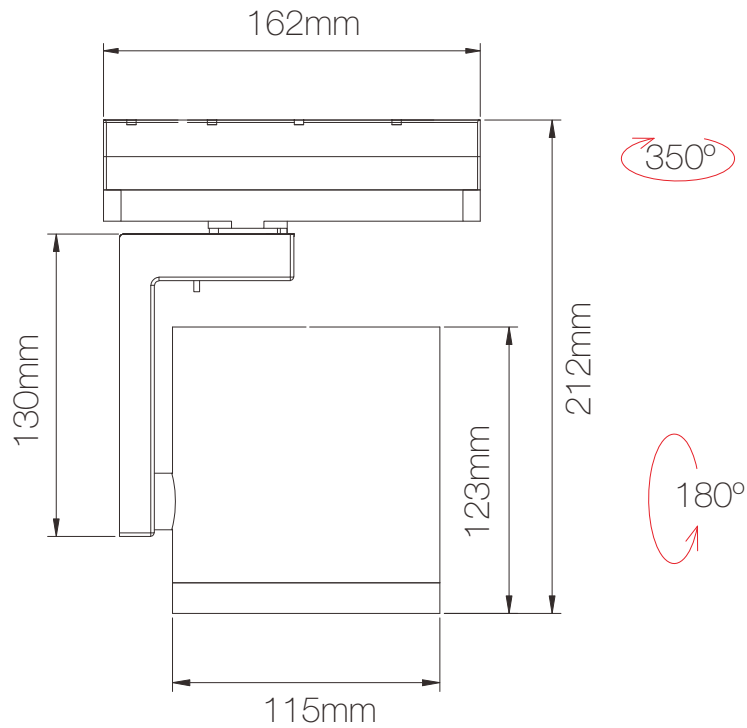
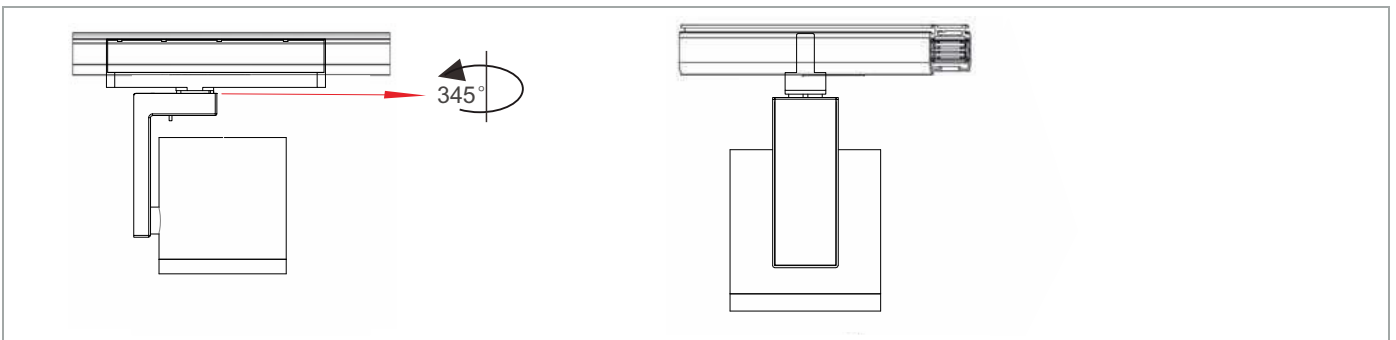


LENA 35W  CCT SWITCH 2.700K - 3.000K - 4.000K

COD. 4449-V2, 4450-V2



## ► FIXTURE ROTATION



ALUMINIUM

IP20



MAC ADAM  
3 step

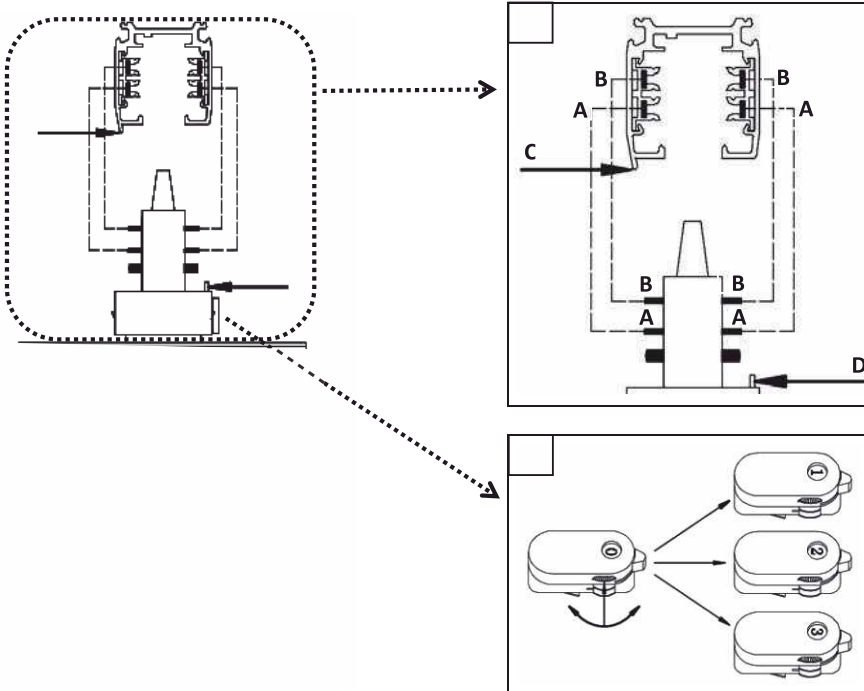
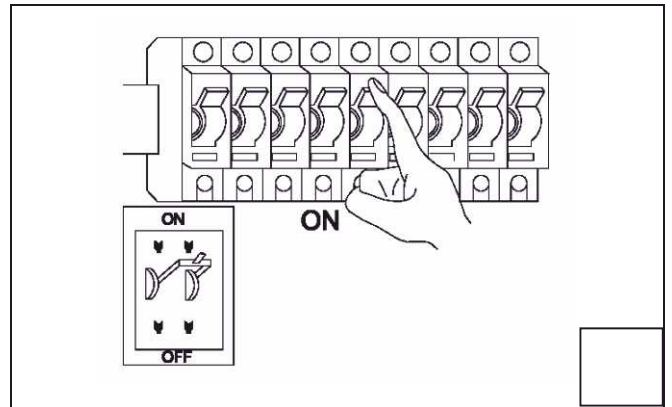
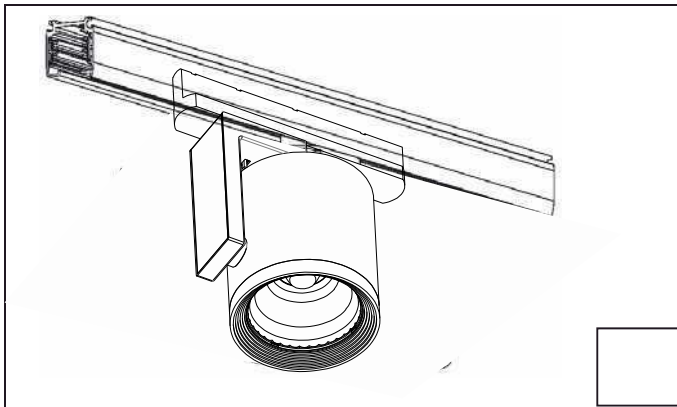
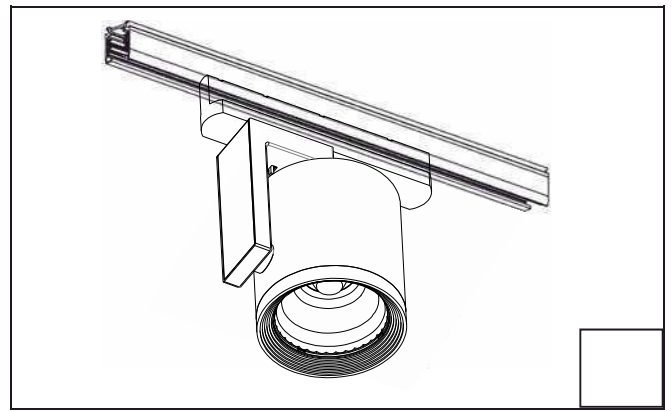
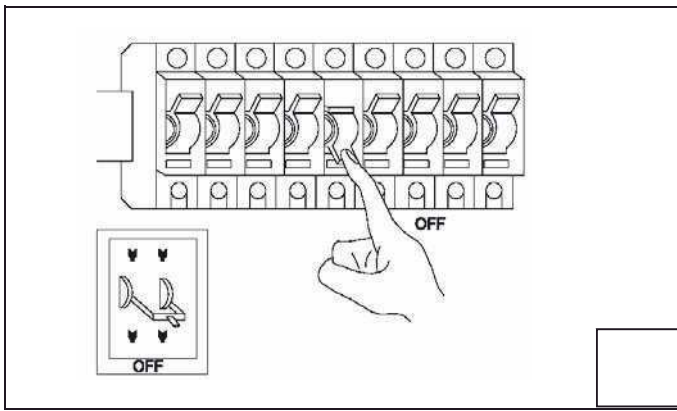
120lm/w



RoHS



## ► FIXTURE INSTALLATION



### NOTE a:

- In order to match the A and B both track adapter and track.
- Please pay attention C point and D point must be on the opposite direction.

### NOTE b:

- Four line three circuit for track adapter.
- The fixture adapter can be used on 0, 1, 2 and 3 circuit track system. An adjustable contact on the fixture adapter allows you to select the circuit position.
- “0” circuit: No Power, No electricity.
- “1” circuit: Power on for circuit “1”.
- “2” circuit: Power on for circuit “2”.
- “3” circuit: Power on for circuit “3”.
- You could choose the circuit to achieve intelligent control.

## ► Safety Information

- 1 Before use, need to confirm the products are intact during transportation.
- 2 Avoid eyes look straight at the LED light-emitting surface.
- 3 Keep away from fire or high temperature object.
- 4 Keep children stay away from the product, forbidden to contact the electric Equipment .
- 5 Packing materials stay away from children to prevent suffocation. Prevent the small accessories swallowed by children.
- 6 Non professional personnel are not allowed to disassemble and repair led light, our company have the rights to refuse the replacement or warranty service for the unauthorized disassembly and repaired products.
- 7 Before cleaning, please be sure to shut off the power supply, and clean with dry cloth, do not use Chemical or corrosive items for cleaning.