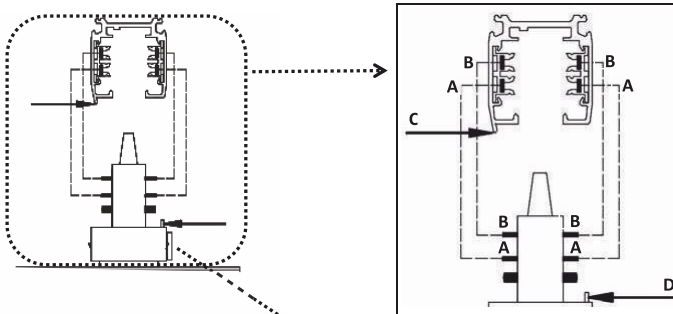
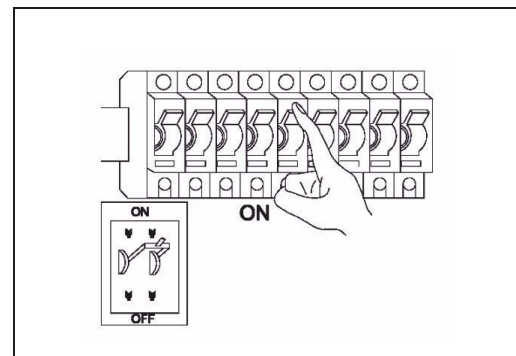
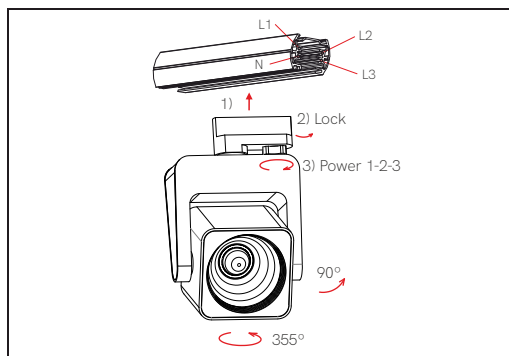
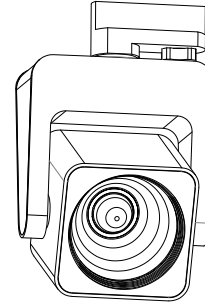
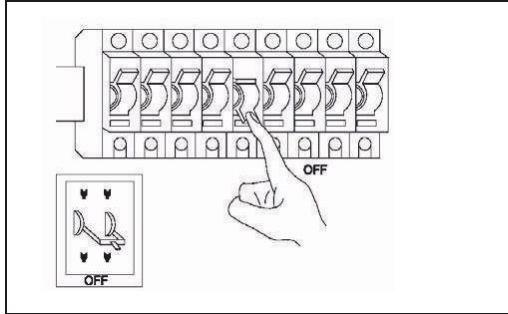


# Kom 40W

technical lighting

4444 / 4445 / 4447 / 4448



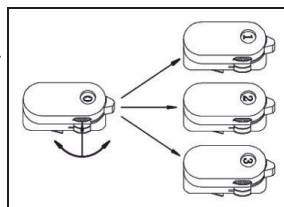
In order to match the A and B both track adapter and track.

Please pay attention C point and D point must be on the opposite direction.



**Danger !**

Installation by electricians only



Four line three circuit for track adapter. Select the circuit position.

- "0" circuit: No Power, No electricity.
- "1" circuit: Power on for circuit "1".
- "2" circuit: Power on for circuit "2".
- "3" circuit: Power on for circuit "3".



>0,9 PF	≥80 CRI	15° 24° 40°	3.000K 4.500lm	4.000K 4.600lm	3 YEARS WARRANTY
220/240 VAC	50/60 Hz	+50°C -20°C	20 IP	30.000 HOURS	UGR <19