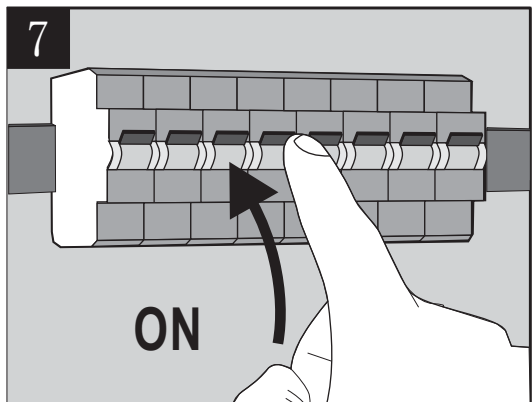
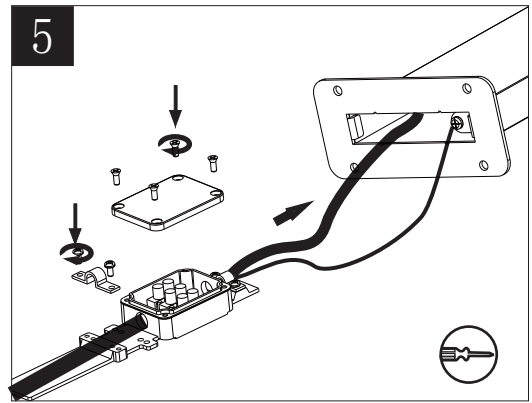
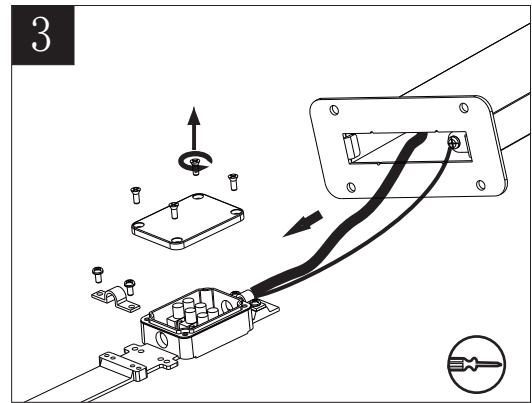
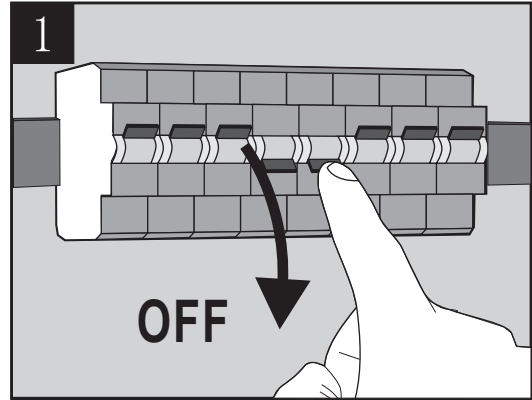
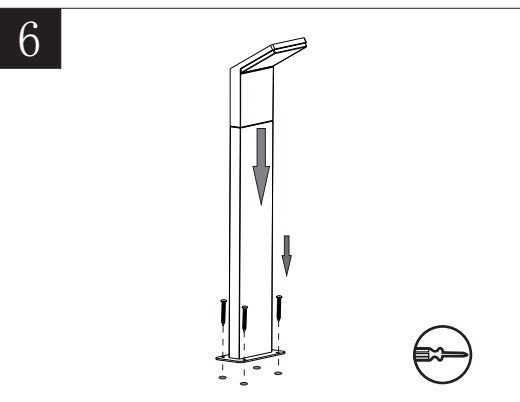
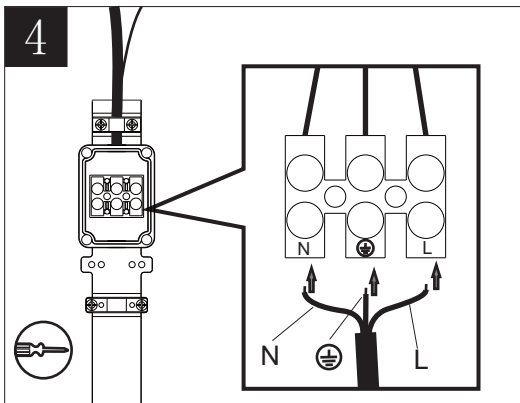
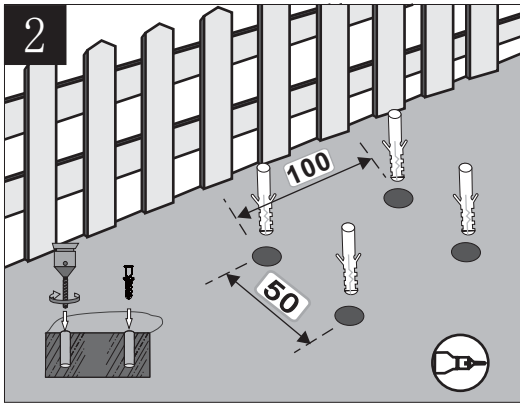
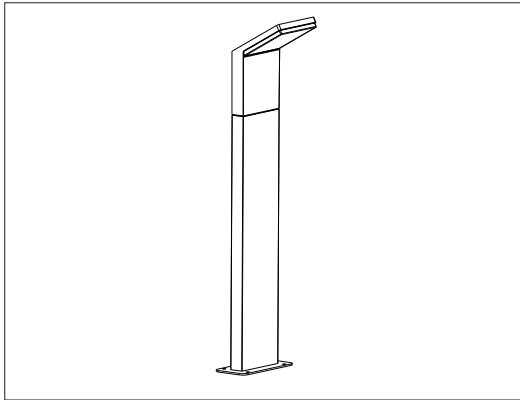


Cam 110 9W

outdoor lighting

3751 / 3752 / 3753 / 3754



3 YEARS WARRANTY	25.000 HOURS	54 IP	220/240 VAC	50 Hz	+45°C -25°C
120°	>0,7 PF	≥80 CRI	IK08	3.000K 690 Lm	4.000K 700 Lm