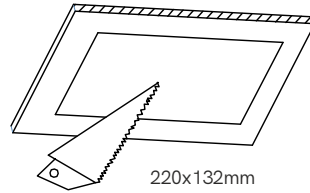


Bonn 40W

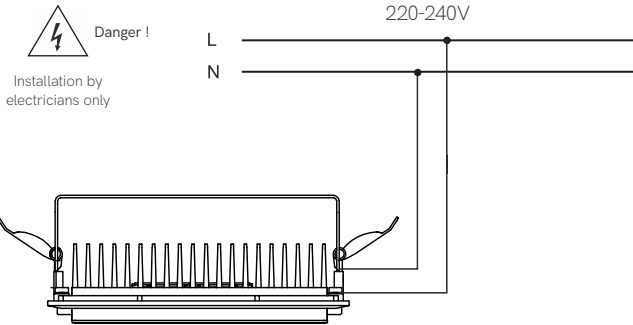
technical lighting

4096 / 4097 / 4098 / 4099

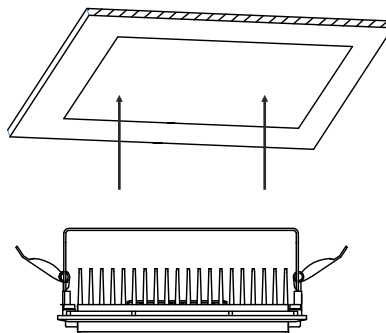
1.




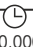
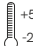


2.



3.



CE RoHS  

 220/240 VAC	5 YEARS WARRANTY	 30.000 HOURS	20 IP	≥80 CRI	AKZO NOBEL ANTI CORROSIVE MARINE PAINT	>0,9 PF
 +50°C -20°C	50/60 Hz		 100°	3.000K 4.750lm	4.000K 4.800lm	