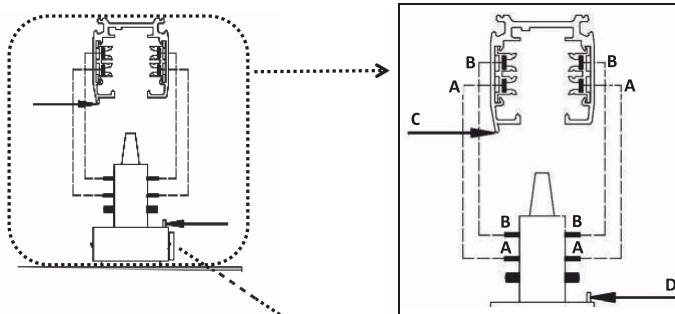
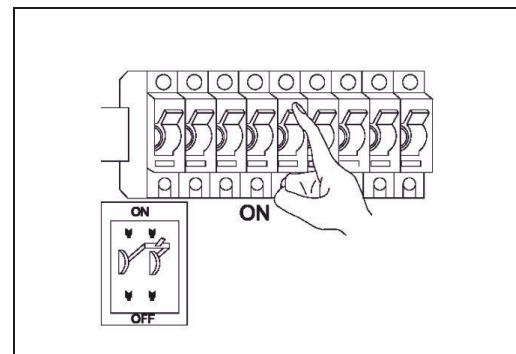
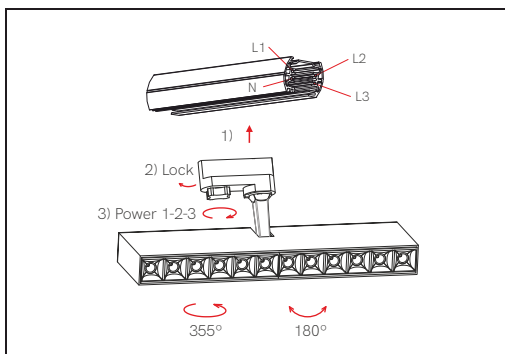
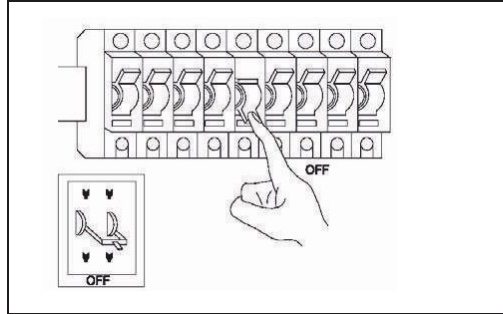


Alfa 32W

technical lighting

4038 / 4039 / 4040 / 4176 / 4177 / 4178

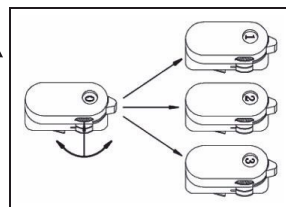


In order to match the A and B both track adapter and track.
Please pay attention C point and D point must be on the opposite direction.



Danger !

Installation by electricians only



Four line three circuit for track adapter.
Select the circuit position.
"0" circuit: No Power, No electricity.
"1" circuit: Power on for circuit "1".
"2" circuit: Power on for circuit "2".
"3" circuit: Power on for circuit "3".



>0,9 PF	≥80 CRI	45°	2.700K 3.100lm	3.000K 3.200lm	4.000K 3.250lm	5 YEARS WARRANTY
220/240 VAC	AKZO NOBEL ANTI CORROSIVE MARINE PAINT	50/60 Hz	+40°C -10°C	20 IP	30.000 HOURS	UGR <19