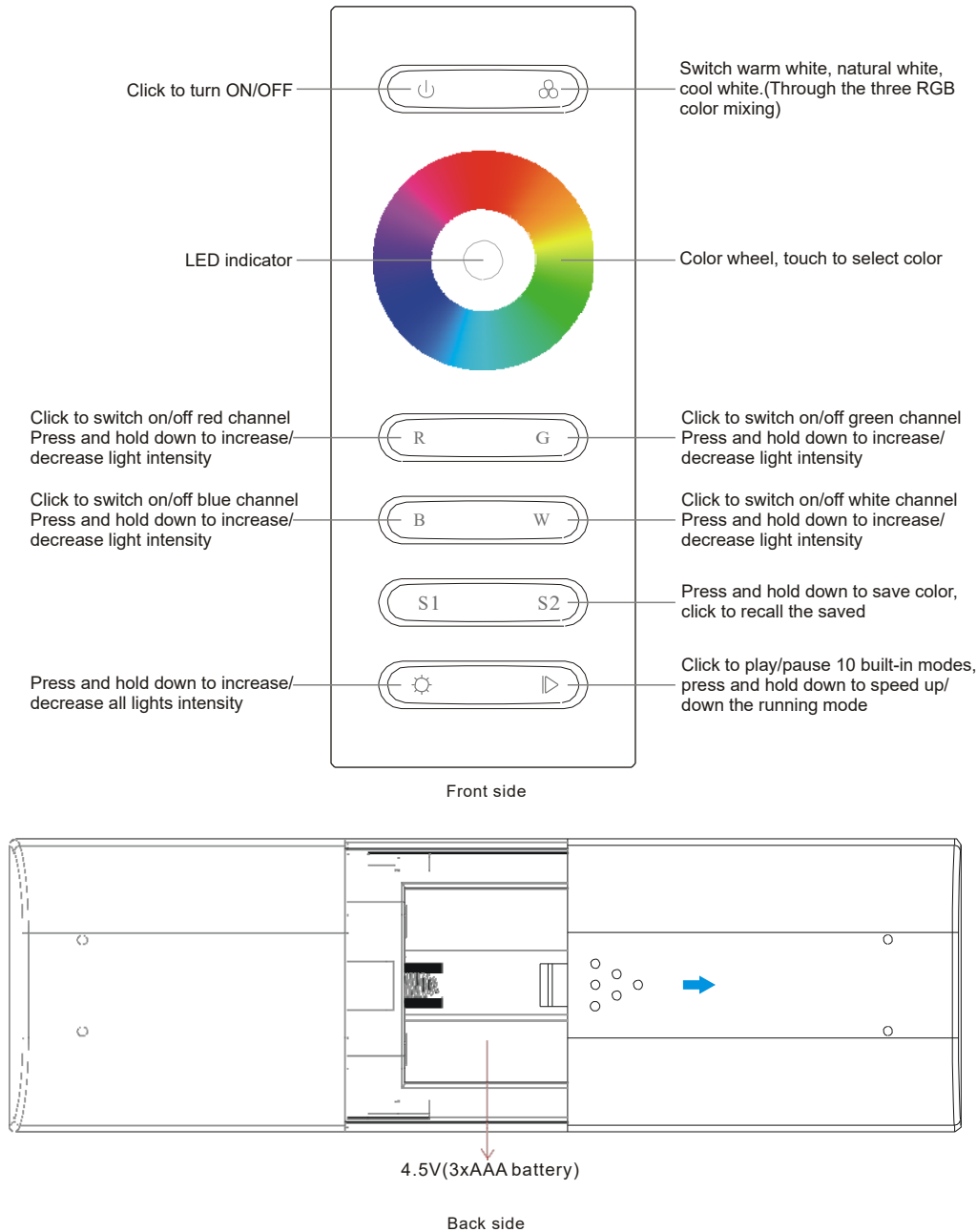


RF RGBW Remote Controller



Important: Read All Instructions Prior to Installation

Function introduction

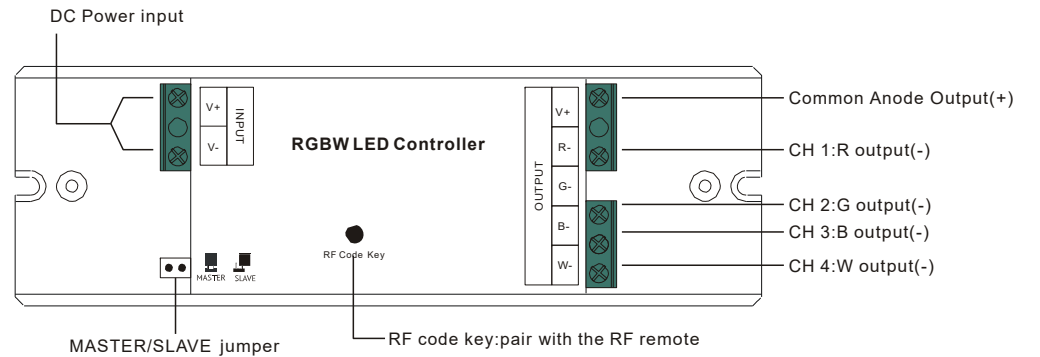


Product Data

| | |
|-----------------------|---------------------|
| Output | RF signal |
| Operation Frequency | 868/915/434MHz |
| Power Supply | 4.5V(3xAAA battery) |
| Operating temperature | 0-40°C |
| Relative humidity | 8% to 80% |
| Dimensions | 120x48x17.6mm |

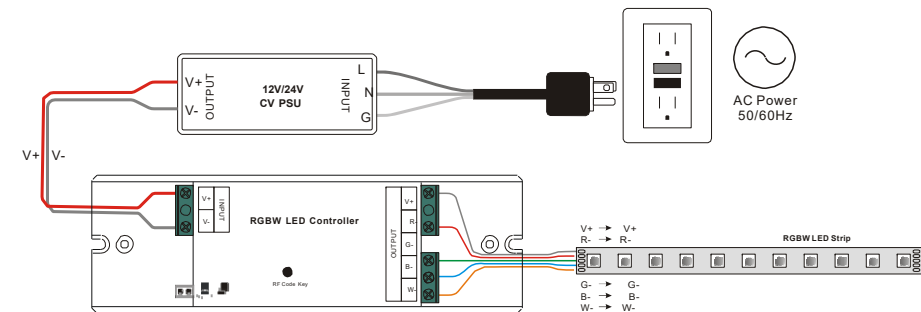
- Control 1 zone of RF receiver
- RGBW color controller
- Compatible with universal serie RF receiver
- 1 receiver can be paired by max 8 different remote controls.
- Waterproof grade: IP20

Receiver



| Input Voltage | Output Current | Output Power | Remarks | Size(LxWxH) |
|---------------|----------------|--------------|------------------|---------------|
| 12-24VDC | 4x5A | 4x(60-120)W | Constant voltage | 145x46.5x16mm |

Wiring Diagram



Operation

Pair with RF receivers:

Turn on the remote → Click "RF Code Key" on RF receiver → Touch the color wheel → LED lights connected with the RF receiver will flicker once → The receiver is paired with the remote successfully.

How to delete the pairing:

Press and hold down "RF Code Key" on the receiver for over 3 seconds until connected LED lights flicker twice, which means the pairing is deleted successfully.