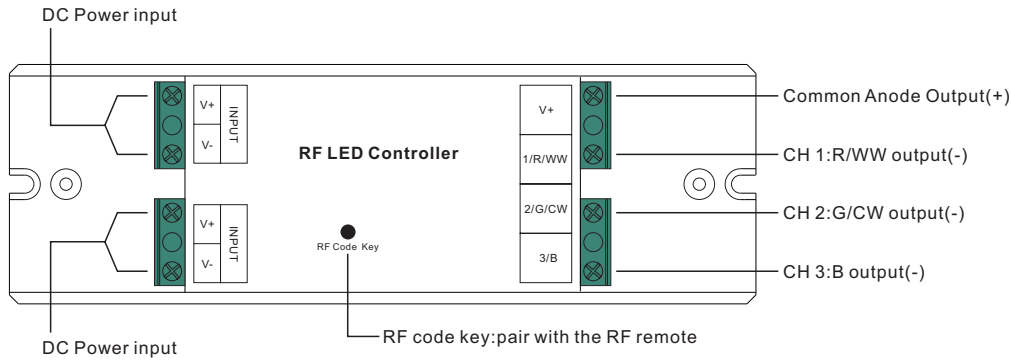


# RF Receiver



**Important:** Read All Instructions Prior to Installation

## Function introduction



## Product Data

Input Voltage	Output Current	Output Power	Remarks	Size(LxWxH)
12-24VDC	3x5A	3x(60-120)W	Constant voltage	145x46.5x16mm

- Radio Frequency : 868/915/434mhz
- Waterproof grade: IP20

## Safety & Warnings

- DO NOT install with power applied to device.
- DO NOT expose the device to moisture.

## Operation

Do wiring according to connection diagram.

Pair RF Receiver with RF remote:

1. Connect and wire up the RF receiver correctly, power on.
2. Turn on the remote, click the **"RF Code Key"** button on receiver, immediately click a zone number to pair the receiver to the specified zone if the remote is a multi-zone controller (if it is a single zone remote, this step is unnecessary), then touch the color wheel or slider bar on the remote (if the remote does not have color wheel or slider bar, click or touch any keys), the connected led light on receiver flickers twice, which means well paired.

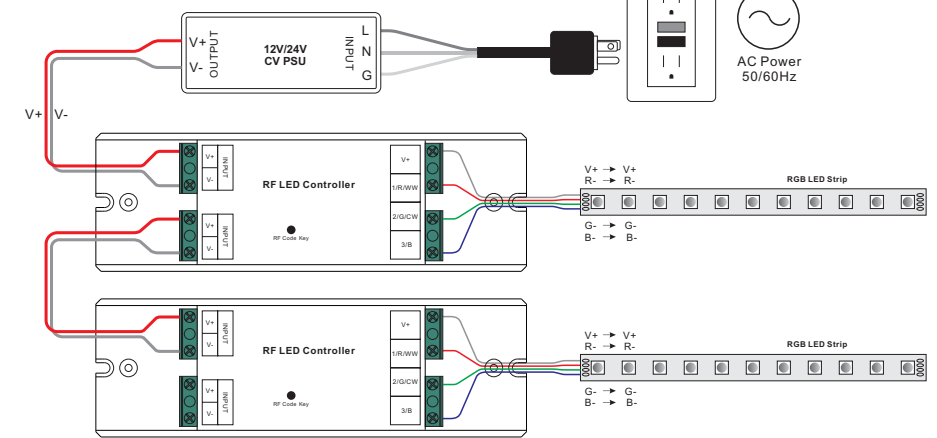
**Note:** one receiver can be paired with max 8 remote controls.

Delete the pairing:

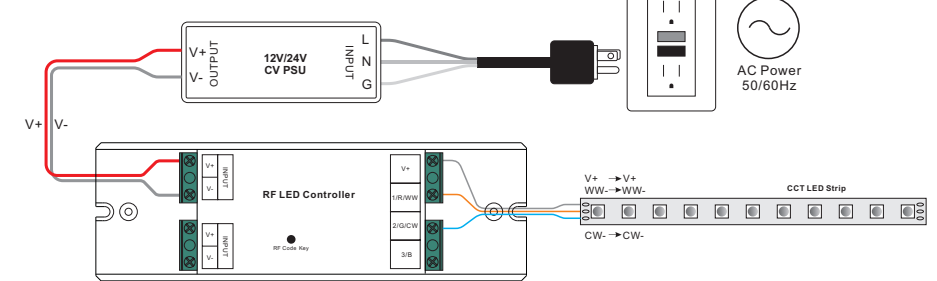
1. Wire up the RF receiver correctly, power on
2. Hold down the **"RF Code Key"** button on receiver for over 3 seconds until the connected led light on receiver flickers twice, which means well deleted.

## Wiring Diagram

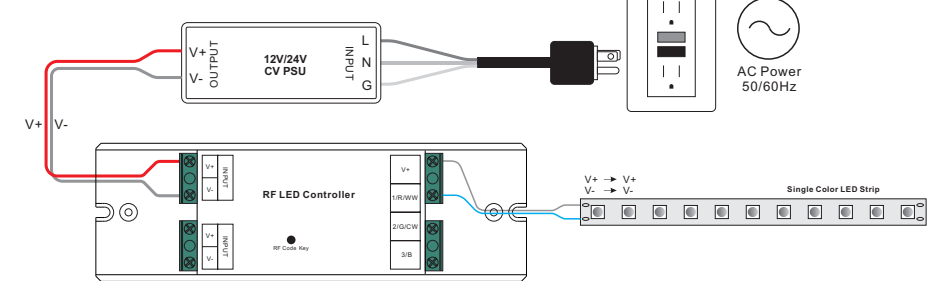
With RGB color LED strip



With dual color LED strip

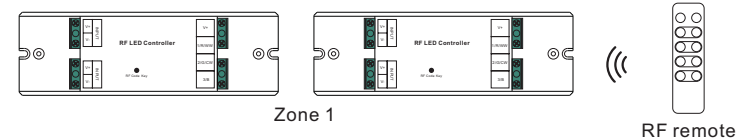


With single color LED strip



**If you use multiple receivers, you have two choices:**

Option 1: have all the receivers in the same zone, like zone 1



Option 2: have each receiver in a different zone, like zone 1, 2, 3 or 4

